



a Geberit company

2100 South Clearwater Drive
Des Plaines, IL 60018
Phone: 847-803-5000
Fax: 847-803-5454
www.chicagofaucets.com

ROUGH-IN

BY: JAR DATE: 02-06-08
CHK: *JAR* REV:

FITTING NO.

9100-NF

SUBMITTED MODEL NO.

FOR TECHNICAL ASSISTANCE
1-800-TEC-TRUE (1-800-832-8783)

SUBMITTED AS SHOWN

SUBMITTED AS NOTED

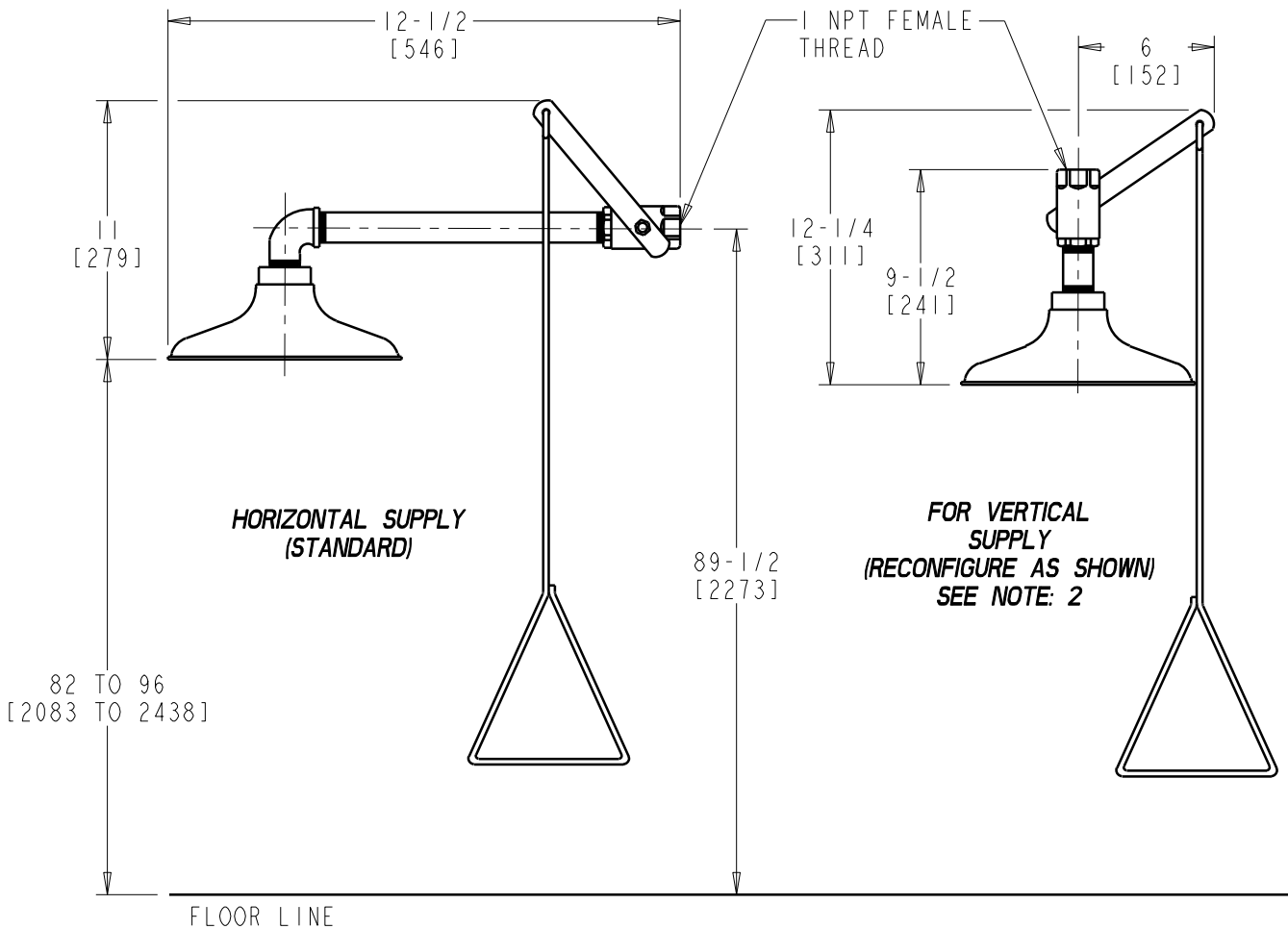
SEE ATTACHED FOR
SUBMITTED MODIFICATION

JOB NAME

ITEM NO.

NOTE:

1. A FLOOR DRAIN SHOULD BE PROVIDED FOR THIS PRODUCT.
2. FOR VERTICAL ASSEMBLY, REMOVE ELBOW AND PIPE FROM ASSEMBLY, REMOVE HANDLE, FLIP TO OTHER SIDE. RE-ATTACH. ASSEMBLE SHORTER 3-1/2 NIPPLE TO SHOWER HEAD AND VALVE.



DIMENSIONS ARE IN INCHES AND [MILLIMETERS].

TECHNICAL DATA

- HORIZONTAL SAFETY DRENCH SHOWER
- SHORT NIPPLE SUPPLIED FOR VERTICAL CONFIGURATION
- INSTANT ACTION PULL-TO-OPERATE BALL VALVE
- ABS PLASTIC SHOWER HEAD
- PULL ROD WITH TRIANGULAR HANDLE
- FINISH: NO FINISH
- HIGH VISIBLTY EMERGENCY SIGN AND WEEKLY TEST TAG (NOT SHOWN)
- MEETS ANSI STANDARD Z358.1

ROUGHING IN DIMENSIONS MAY VARY AND ARE SUBJECT TO CHANGE. NO RESPONSIBILITY IS ASSUMED FOR USE OF SUPERCEDED OR VOIDED DATA.