

# CHICAGO FAUCETS

a Geberit company



2100 SOUTH CLEARWATER DRIVE  
DES PLAINES, ILLINOIS 60018-5999

FITTING NO.

9001

SUBMITTED MODEL NO.

JOB NAME

ITEM NO.

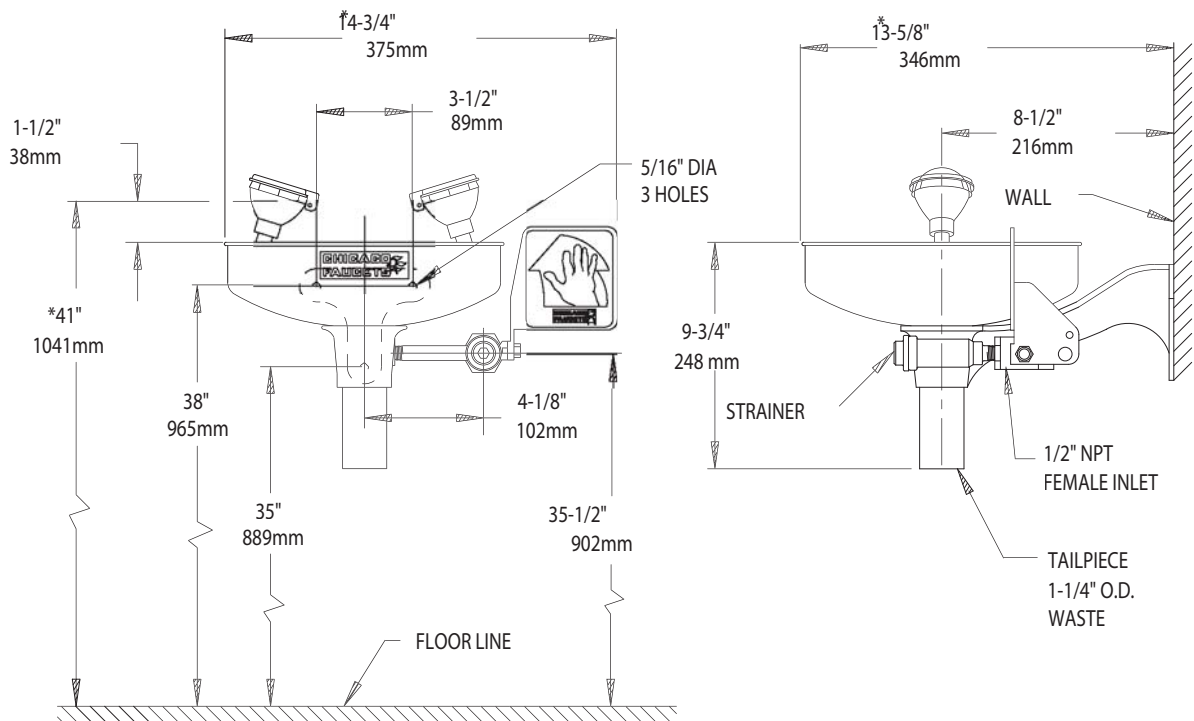
SUBMITTED AS SHOWN

SUBMITTED AS NOTED

SEE ATTACHED FOR  
SUBMITTED MODIFICATION

IS ASSUMED FOR USE OF SUPERCEDED OR VOIDED DATA.

ROUGHING IN DIMENSIONS MAY VARY AND ARE SUBJECT TO CHANGE. NO RESPONSIBILITY



\* THESE DIMENSIONS MAY VARY PLUS OR

MINUS 1/2" (12.7mm)

NOTE: THE ANSI STANDARD SPECIFIES E  
HEIGHTS TO BE 33" (838mm) TO  
ABOVE THE FLOOR.

YEWASH NOZZLE  
45" (1143mm)

DIMENSIONS IN INCHES AND [MILLIMETERS].

TECHNICAL DATA

- WALL MOUNTED EYE/FACE WASH
- STAINLESS STEEL RECEPTOR
- DUAL HIGH IMPACT ABS PLASTIC SPRAY HEADS IN HIGH VISIBILITY YELLOW
- INTEGRAL DUST COVERS FOR SPRAY HEADS THAT RELEASE WHEN VALVE IS ACTIVATED
- PUSH-TO-ACTIVATE BALL VALVE THAT STAYS OPEN UNTIL MANUALLY CLOSED
- HIGH VISIBILITY EMERGENCY SIGN (NOT SHOWN)
- MEETS ANSI STANDARD Z358.1
- FINISH: NO FINISH

DATE: 4-16-02

BY: JAR

CHK'D:

APP'D:

REV: A

9001