

JOB NAME

ITEM NO.

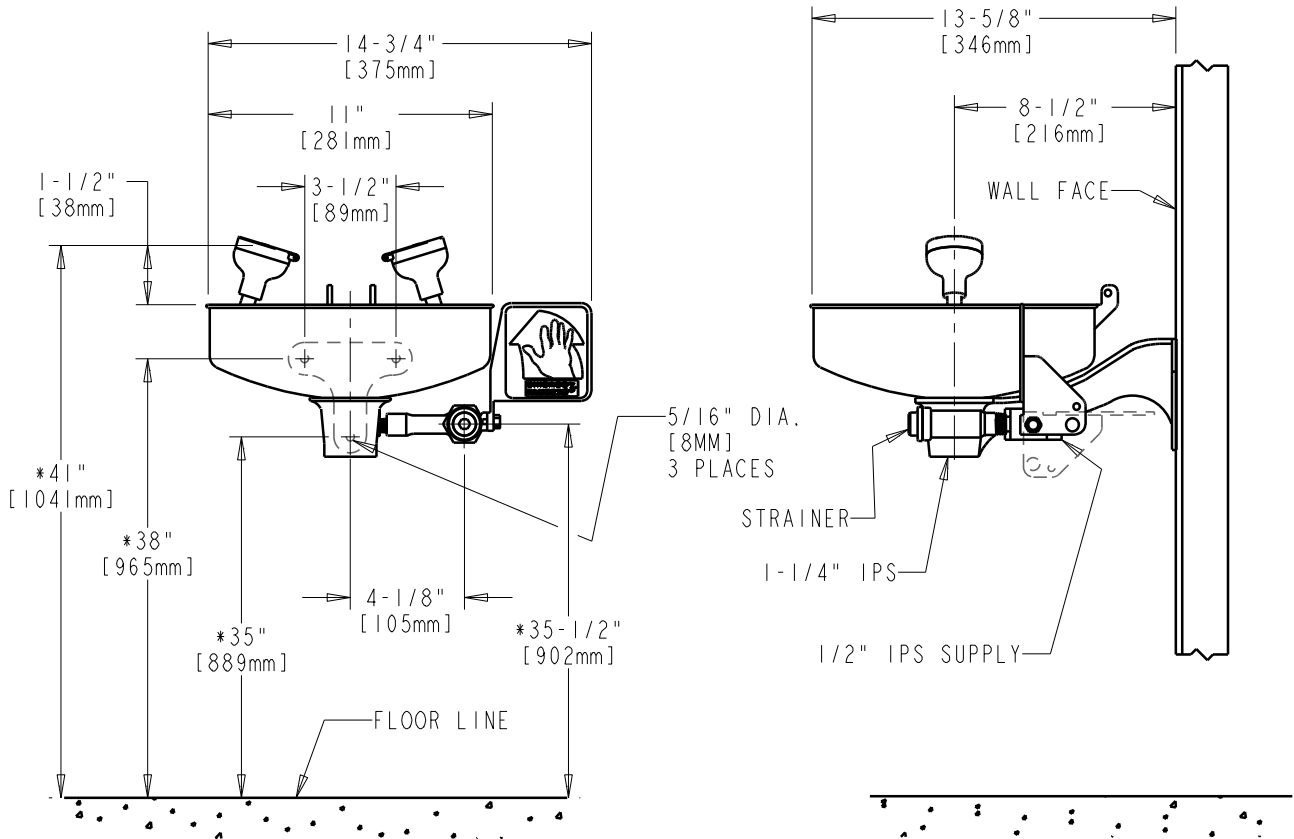
SUBMITTED AS SHOWN

SUBMITTED AS NOTED

SEE ATTACHED FOR
SUBMITTED MODIFICATION

NOTES:

- ANSI STANDARD SPECIFIES EYEWASH NOZZLES TO BE 33" (838mm) TO 45" (1143mm) ABOVE THE FLOOR.
- * THESE DIMENSIONS MAY VARY $\pm 1/4"$ [6.4mm].



ROUGHING IN DIMENSIONS MAY VARY AND ARE SUBJECT TO CHANGE. NO RESPONSIBILITY IS ASSUMED FOR USE OF SUPERCEDED OR VOIDED DATA.

TECHNICAL DATA

- WALL MOUNTED EYE/FACE WASH
- ROUND 11" YELLOW ABS PLASTIC RECEPTOR
- TWIN FEATHER-FLO ABS PLASTIC EYE/FACE WASH HEADS
- INTEGRAL DUST COVERS FOR SPRAY HEADS THAT RELEASE WHEN VALVE IS ACTIVATED
- FINISH: NO FINISH

- PUSH TO ACTIVE BALL VALVE THAT STAYS OPEN UNTIL MANUALLY CLOSED
- BUILT-IN FLOW CONTROL AND STRAINER
- HIGH VISIBILITY EMERGENCY SIGN
- MEETS ANSI STANDARD Z358.1

DATE: 12-20-04

BY: JAR

CHK'D:

APP'D: *[Signature]*

REV: 08-29-07

8006