

JOB NAME

ITEM NO.

SUBMITTED AS SHOWN

SUBMITTED AS NOTED

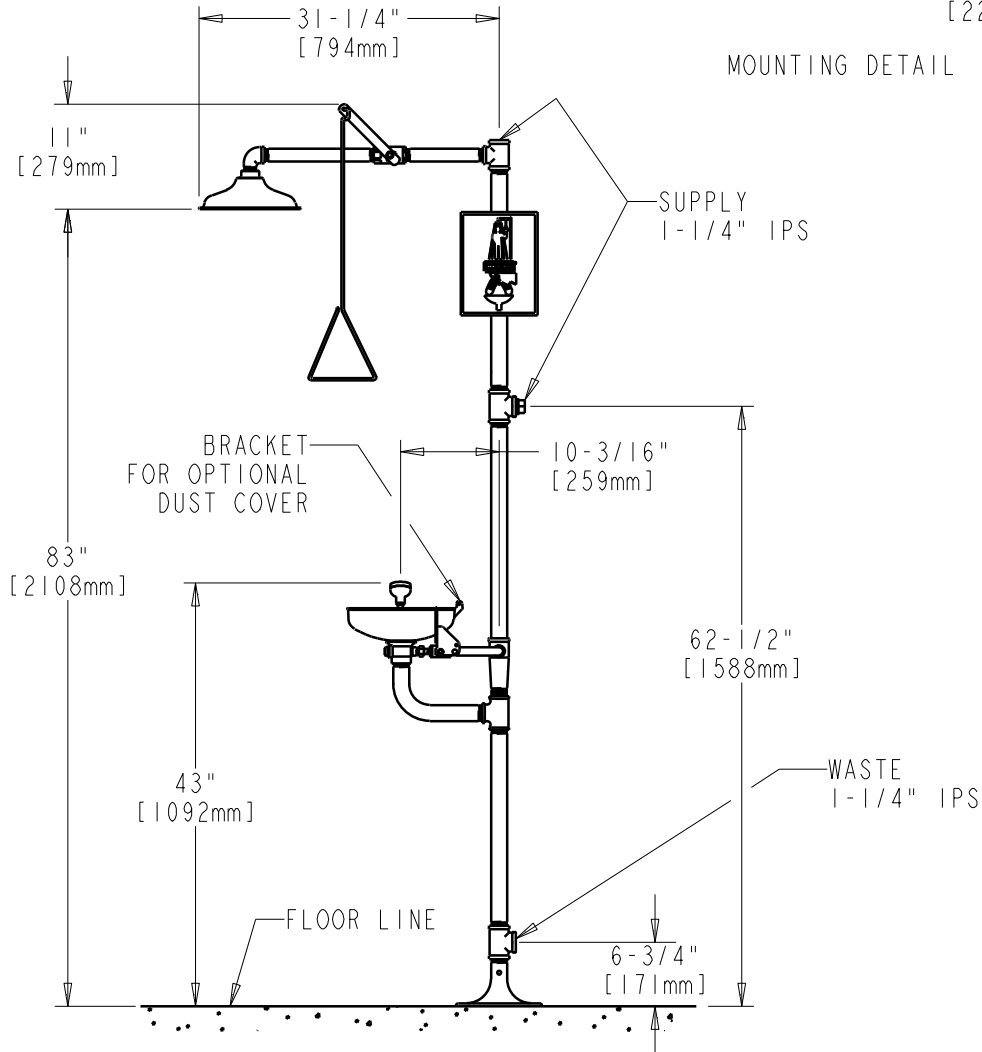
SEE ATTACHED FOR  
SUBMITTED MODIFICATION

3/8" [10mm] DIA.  
HOLES, 3 PLACES  
120° APART

8" [203mm] DIA.  
BOLT CIRCLE

9" DIA.  
[229mm]

MOUNTING DETAIL



NOTES:

1. DIMENSIONS MAY VARY  $\pm 1/2$ " [12.7mm]
2. A FLOOR DRAIN SHOULD BE PROVIDED FOR THIS PRODUCT.

TECHNICAL DATA

- COMBINATION SHOWER AND EYE/FACE WASH FEATURES
- A 10" ABS SHOWERHEAD
- INSTANT ACTION PUSH TO OPERATE BALL VALVE THAT STAYS OPEN UNTIL MANUALLY CLOSED
- TWIN FEATHER-FLOW ABS PLASTIC EYE/FACE WASH HEADS
- INTEGRAL DUST COVERS FOR SPRAY HEADS THAT RELEASE WHEN VALVE IS ACTIVATED
- 11" ABS PLASTIC YELLOW EYE/FACE WASH RECEPTOR
- INSTANT ACTION PULL TO OPERATE MANUAL BALL VALVE FOR SHOWER
- BUILT-IN FLOW CONTROL AND STRAINER
- HIGH VISIBILITY EMERGENCY SIGN
- MEETS ANSI STANDARD Z358.1
- FINISH: NO FINISH

DATE: 12-20-04

BY: JAR

CHK'D:

APP'D: *[Signature]*

REV: 8-28-07

9206

ROUGHING IN DIMENSIONS MAY VARY AND ARE SUBJECT TO CHANGE. NO RESPONSIBILITY IS ASSUMED FOR USE OF SUPERCEDED OR VOIDED DATA.