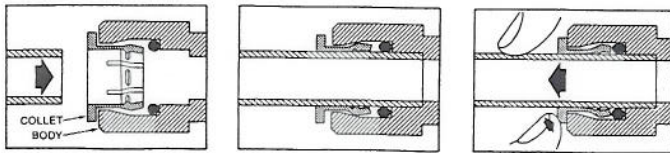


INSTRUCTIONS TO RETROFIT P8AM SERIES COOLERS WITH OASIS® VERSAFILTER KIT 033926-001

Quick-Connect Fittings

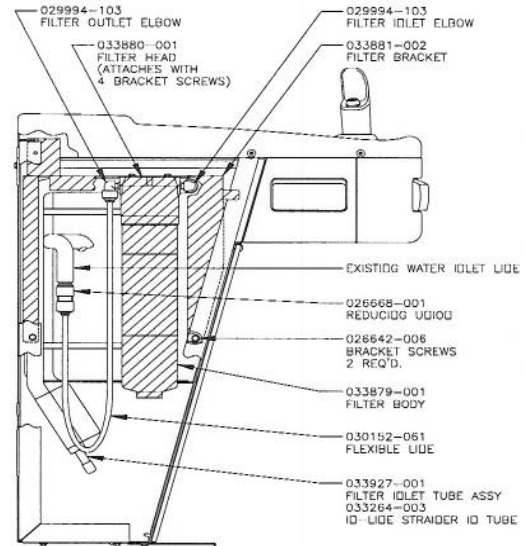
1. If you need to cut the plastic tubing, be sure to cut tube ends square and straight. Do not deform the tube (i.e., cause tube to compress its diameter so it is no longer round, or it may result in a water leak at the fitting).
2. Make sure the outer surface of the tube is clear of marks or scratches for a length equal to twice the tube diameter. This allows the "O" ring to seat properly against the tube (See figure below).
3. Avoid sharp changes in direction when routing the tubing. Sharp turns could cause the tubing to kink, which reduces its flow capacity and or stops it completely.
4. Fittings consist of two parts: a body and a collet. (See figure below).
5. To install a tube, push it through the collet until it seats firmly at the bottom of the fitting.
6. To remove a tube, push and hold the collet against the body while pulling the tube out. Pushing the tube into the body before pushing the collet in will aid in the removal of the tube.



Push tube through
Collet into Body

Tube must seat firmly
at bottom of fitting

Push Collet against
Body to release tube



LEFT SIDE VIEW

Installation Instructions

1. Remove front access panel and left side panel (when facing the front of the unit). In the case of the split-level model, the filter will be placed in the non-cooling unit.
2. Turn off water supply to cooler.
3. Actuate bubbler valve to relieve water pressure in tubing.
4. Disconnect the water supply line from the inlet valve.
5. Install filter bracket with attached filter head into unit. There will already be two holes in the frame that line up with the holes in the bracket. Align these holes, and allow the slot in the bracket to slide onto the top of the frame. The offset ear on the right side of the bracket should remain on the outside of the frame for support (see side view above). Attach bracket to frame with 2 screws included in kit.
6. Cut existing water inlet line (or water supply extension tube in the case of the split level) with a small tubing cutter to remove the compression fitting. Cut should be made on a straight section of the inlet / extension line.
7. Debur both the ID and OD on the side of the line still attached to the tank. Failure to debur the tube after the cut has been made, may cause damage to the o-rings inside the reducing union, resulting in a water leak.
8. Rotate filter head elbow closest to the front of the unit toward the middle of the unit. Insert 1/4" side of the filter inlet tube assembly (copper tube) into this elbow. Position so that the longest portion of the tube hangs behind the two lines leading out of the cooling tank (see side view above).
9. Make 3/8" connection between the water supply valve and the filter inlet tube assembly. Installation should comply with all state and local laws and regulations.
10. Attach reducing union to the inlet / extension line leading to the cooling tank then insert one end of the 1/4" flexible line into the filter head. Be sure to properly seat the tube into the fitting, or leaks may occur.
11. Install and flush filter per the directions listed on "Oasis Versafilter Cartridge Replacement Instructions." Replacement cartridges should be obtained by contacting an Oasis distributor.
12. Prior to replacing the removed panel(s), tuck the flexible tubing out of the way to avoid smashing it.



OASIS CORPORATION

265 N. Hamilton Road • P. O. Box 13150 • Columbus, OH 43213-0150

1-800-64-OASIS (1-800-646-2747)

www.OasisWaterCoolers.com

INSTRUCTIONS TO RETROFIT OASIS® COOLERS WITH OASIS® VERSAFILTER KIT 033926-002

Installation Instructions

1. Remove necessary panel(s) to gain access to the water supply leading to the cooler. **NOTE:** For new installations skip to step 9.
2. Turn the water supply off.
3. Activate bubbler valve to relieve water pressure in tubing.
4. Disconnect the water supply line from the inlet valve.
5. Remove blue flexible tube from the elbow attached to the [IN] side of the filter head (refer to the quick connect fitting instructions on the other side for details on how to do so), and separate filter body from the head. If the bracket is being used to secure the filter, attach the filter head to the bracket using the screws provided. Should the clip be used, do not install the filter head/body into the clip until step 13.
6. Refer to table below for the recommended mounting location and bracket/clip use for specified models and install either the bracket or the plastic clip using the screws provided. When installing the bracket/clip keep in mind that periodic access will be needed to service the filter. Figure 1 gives details for the bracket or clip orientation.

Model	Bracket	Clip	Location To Install:
RADII SERIES	YES	YES	Above the RLF chilling unit. Mounting flange on bracket fits horizontally between flanges on the frame. *
MODULAR SERIES	YES	YES	Above the RLF chilling unit. Mounting flange on bracket fits horizontally between flanges on the frame. *
FULLY RECESSED PLF8(FPM)(WFPM)(WEE)	YES	X	Above the RLF chilling unit. Mounting flange on bracket fits horizontally between flanges on the frame. *
PCP SERIES (except hot models)	X	YES	On back panel below the drain line, and next to the water inlet.**
PLF_FA & P_FA SERIES (except hot models)	X	YES	Centered on top of the cooling tank shelf.**
PLF_M & P_M SERIES	X	YES	On partition plate opposite the cooling tank, toward rear of unit.**

*Drill 1/8" pilot hole and use 8-18 x .500 screw. **Drill 11/64" clearance hole & use 10-32 x .500 machine screw and nut provided.

7. Use a tubing cutter to cut through a straight section of the of the existing water inlet line, so filter can be installed upstream of the cooling tank or tee on a split-level fountain. Cut is made to remove the compression fitting if water supply valve is located at the unit.
8. De-burr ID and OD of the copper tube on the side still attached to the cooling tank or leading to the split-level fountains. Failure to de-burr the tube after cutting, may cause damage to the o-rings inside the reducing union, resulting in a water leak.
9. Attach the 1/4" side of the union to the 1/4" blue flexible tubing and then attach the 3/8" side (or 1/4" side for some remote cooling units) of the union to the inlet line of the cooling tank, split-level fountain, or remote cooling unit. The other end of this tube is already inserted into the side of the filter head marked [OUT].
10. Insert the tapered end of the 3/8" copper tube into the 3/8" x 1/4" reducing union and then remove the cap on the other end (making sure the in-line strainer remains in the tube) and connect to the water supply line/valve. Be sure to properly seat the tube into the reducing union, or leaks may occur. Installation should comply with all state and local laws and regulations.
11. Attach the 1/4" white flexible tube to the 1/4" side of the reducing union attached to the copper tube. Connect the free end of the white tube to the elbow located on the side of the filter head marked [IN]. Be sure to properly seat the tube into the fitting, or leaks may occur.
12. Install and flush filter per the directions listed on "Oasis Versafilter Cartridge Replacement Instructions." Replacement cartridges should be obtained by contacting an Oasis distributor.
13. After flushing is completed, secure the filter head/body into the mounting clip if applicable (see figure 1).
14. Prior to replacing the removed panel(s), tuck the flexible tubing out of the way to avoid smashing it.

FIGURE 1

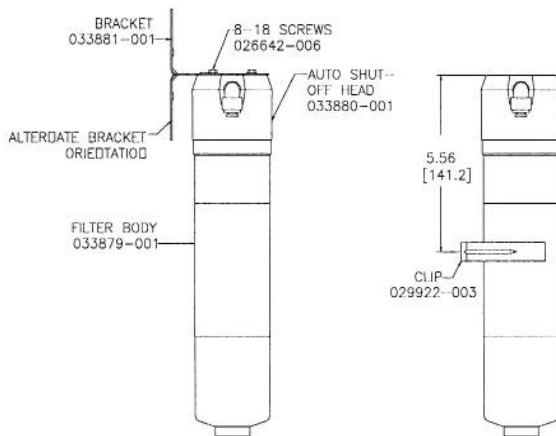


FIGURE 2

