

- Complies with American National Standard Z358.1-2004
- Galvanized Steel Protected with BRADTECT™ Safety Yellow Coating or All Stainless Steel
- Universal Identification Sign and Inspection Tag Included
- Full, One-Year Warranty



Specifications

Unit design saves space and fits easily into any work environment. Eyewash operates quickly by a large, highly visible push handle. Safe, steady water flow under varying water supply conditions from 30–90 PSI is assured by integral flow control in the sprayhead assembly. NOTE: The ANSI Z358.1 standard requires an uninterruptable supply of flushing fluid at a minimum 30 PSI flowing pressure.

cUPC Approved:

The Emergency Fixtures are certified to comply with the requirements of the Uniform Plumbing Code and the National Plumbing Code of Canada by the International Association of Plumbing and Mechanical Officials (IAPMO).

Construction

Eyewash bowl constructed of bright yellow impact-resistant plastic for high visibility in emergency situations or corrosion-resistant stainless steel. Galvanized steel piping and wall mounting bracket are additionally protected with BRADTECT™ safety yellow coating. Chrome-plated tailpiece provided. S19-220BSS is all stainless steel construction.

Standard Equipment

Eyewash Bowl

10" (254mm) diameter yellow impact-resistant plastic or 10-3/4" (273mm) diameter corrosion-resistant stainless steel.

Standard Sprayhead Assembly

Chrome-plated brass with twin, soft-flow, eyewash heads and protective sprayhead covers. Integral flow control assures safe, steady water flow under varying water supply conditions from 30-90 PSI. S19-220BSS is all stainless steel.

Valve

Chrome-plated brass 1/2" IPS stay-open ball valve. Hand operated by a large, highly visible safety yellow PVC push handle. S19-220BSS is all stainless steel.

Pipe and Fittings

1/2" galvanized steel with BRADTECT™ safety yellow coating. S19-220BSS is all stainless steel.

Wall Bracket

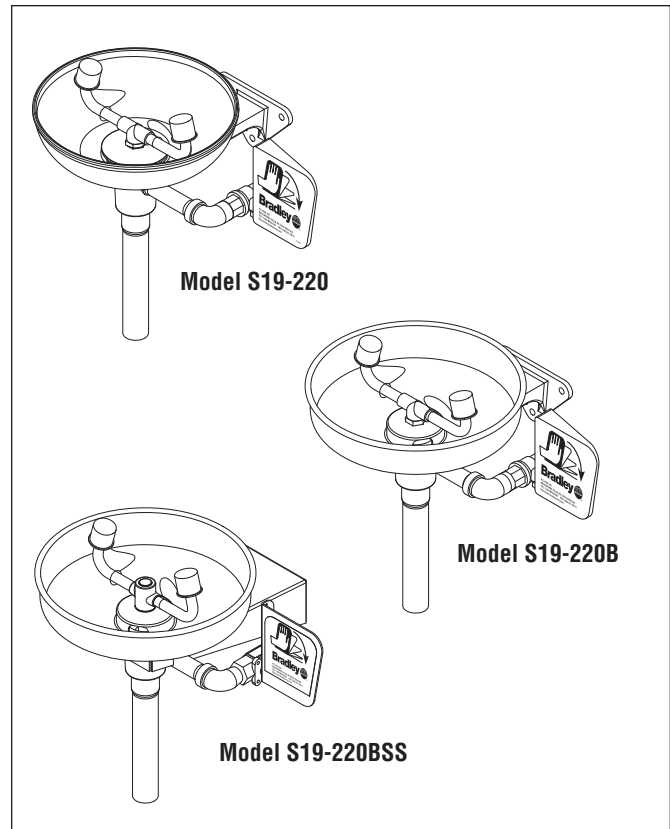
Heavy-gauge sand-cast aluminum with BRADTECT™ safety yellow coating. Three clearance holes for wall mounting holes (bolts by others). S19-220BSS is all stainless steel.

Waste


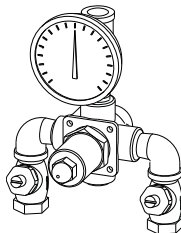
Dome-type strainer, 1-1/4" drain fitting and tailpiece furnished.

Water Supply

1/2" IPS.



Recommended Option:
Navigator S19-2000 EFX8
Emergency Thermostatic Mixing
Valve

Satisfies ANSI Z358.1-2004
tepid water requirements.

| Model | Description |
|-------------------------------------|--|
| <input type="checkbox"/> S19-220 | Eyewash with Wall Bracket - Plastic Bowl |
| <input type="checkbox"/> S19-220B | Eyewash with Wall Bracket - Stainless Steel Bowl |
| <input type="checkbox"/> S19-220BSS | Eyewash with Wall Bracket - All Stainless Steel |
| <input type="checkbox"/> S19-2000 | Navigator EFX8 - Emergency Thermostatic Mixing Valve |

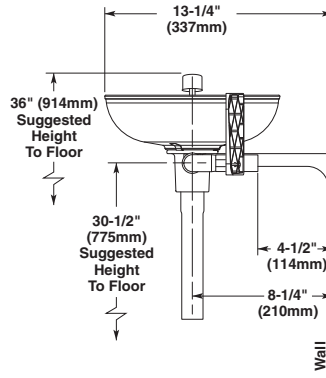
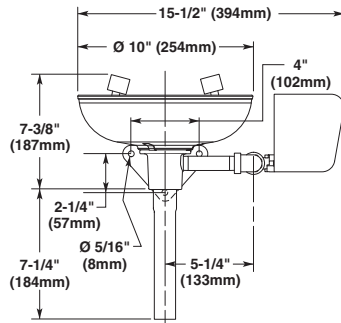


All dimensions assume standard thread engagement. Variations in manufacturing allow for +/- 1/8" (3mm) per threaded joint. To find the tolerance of a dimension, add the number of thread joints in between a dimension and multiply it by 1/8" (3mm).

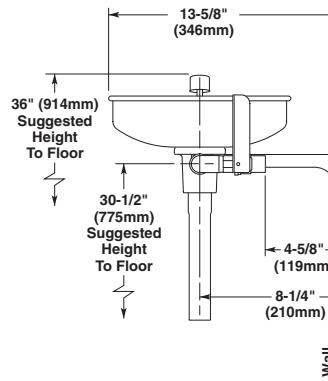
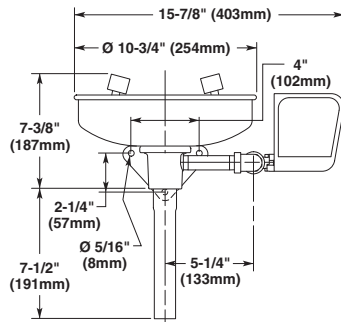


Local codes may require the installation of a backflow prevention valve to complete proper installation. Compliance with local codes is the responsibility of the installer. Valve must be tested annually to verify that it is functioning properly. Backflow prevention valves are not included with the fixture and may be supplied by the contractor or purchased from Bradley Corporation.

Model S19-220



Model S19-220B



Model S19-220BSS

