

- Complies with American National Standard Z358.1-2004
- Galvanized Steel Protected with BRADTECT™ Safety Yellow Coating or All Stainless Steel (S19-110BFSS)
- Universal Identification Sign and Inspection Tag Included
- Full, One-Year Warranty
- Patent Pending



Specifications

Designed for locations where wall-mounted showers are impractical. Shower provides a superior washdown with a more even spray pattern when the operating handle is pulled.

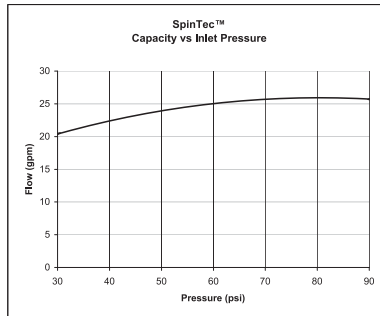
cUPC Approved:

S19-110BF and S19-110BFSS are certified to comply with the requirements of the Uniform Plumbing Code and the National Plumbing Code of Canada by the International Association of Plumbing and Mechanical Officials (IAPMO).

Standard Equipment

SpinTec™ Showerhead

Standard showerhead is 3.1" (78.7mm) diameter highly visible yellow impact-resistant plastic. High performance corrosion-resistant stainless steel showerhead with hexagonal profile measures 1-9/16" (40mm) point-to-point. SpinTec drench showerhead features integral 23 GPM flow control, conserving water and helping to accurately size your tepid water system.



Valve

Chrome-plated brass 1" NPT stay-open ball valve, operated by stainless steel pull rod with triangular handle. Model S19-110BFSS is all stainless steel.

Pipe and Fittings

1-1/4" galvanized steel with BRADTECT™ safety yellow coating. S19-110BFSS is all stainless steel.

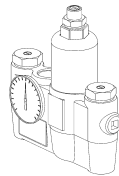
Water Supply

1-1/4" NPT.

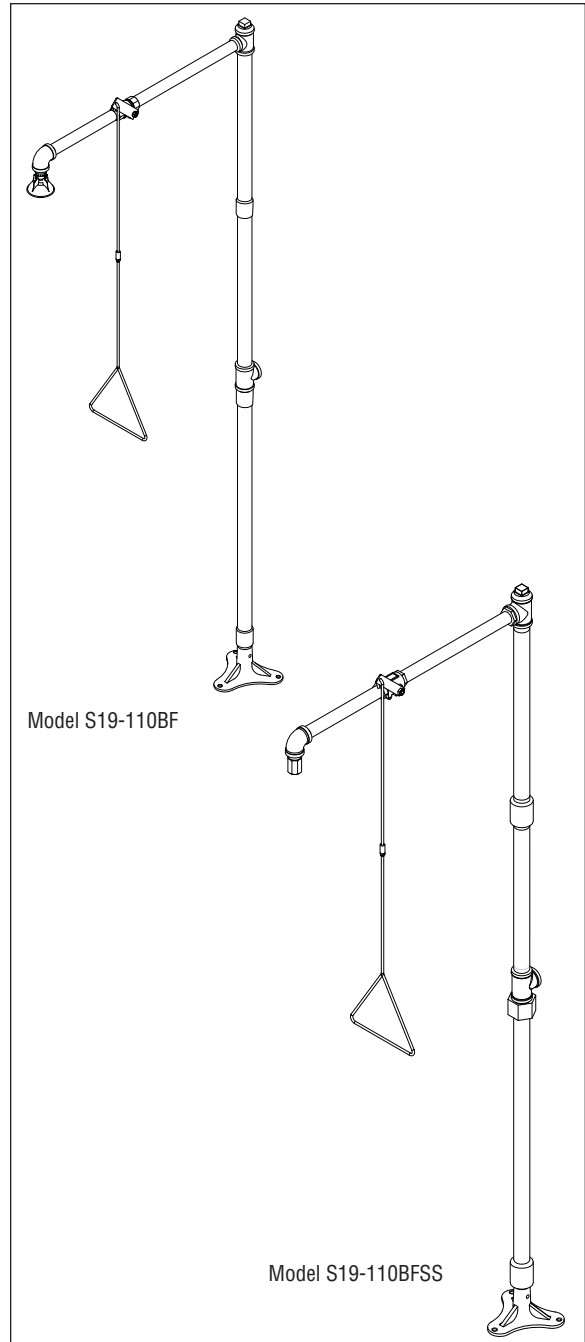
Recommended Option:

Navigator S19-2100 EFX25
Emergency Thermostatic Mixing Valve

NAVIGATOR

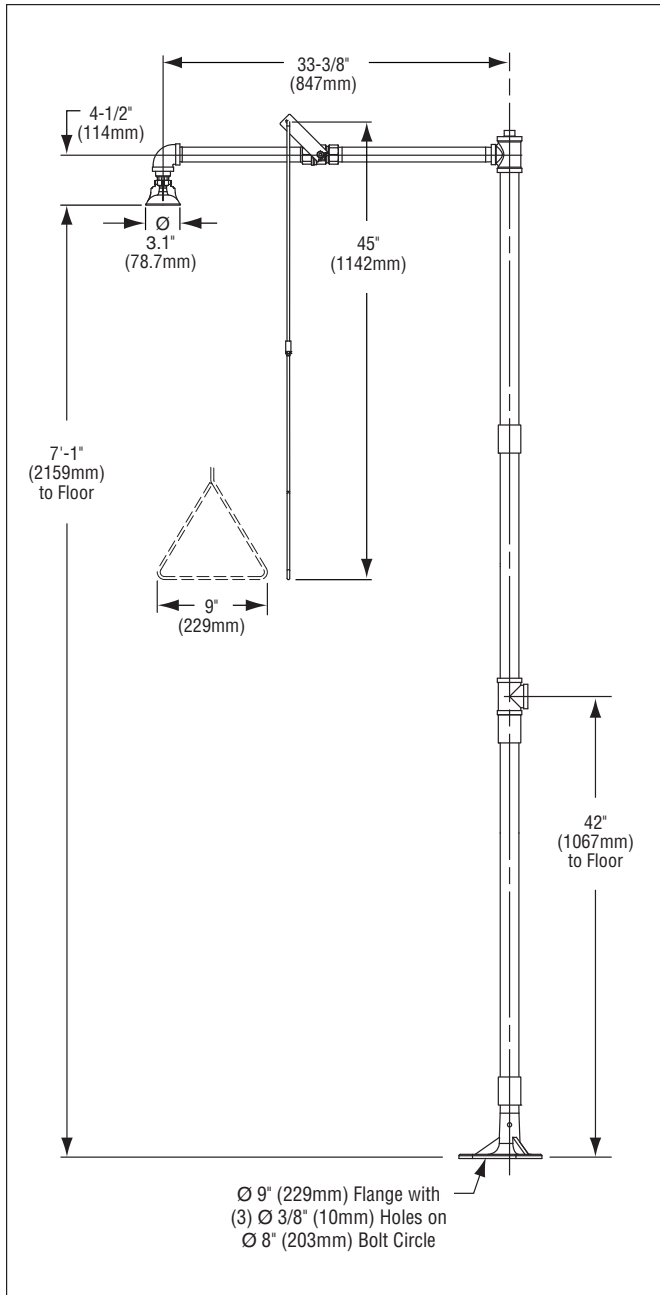


Satisfies ANSI Z358.1-2004
tepid water requirements.

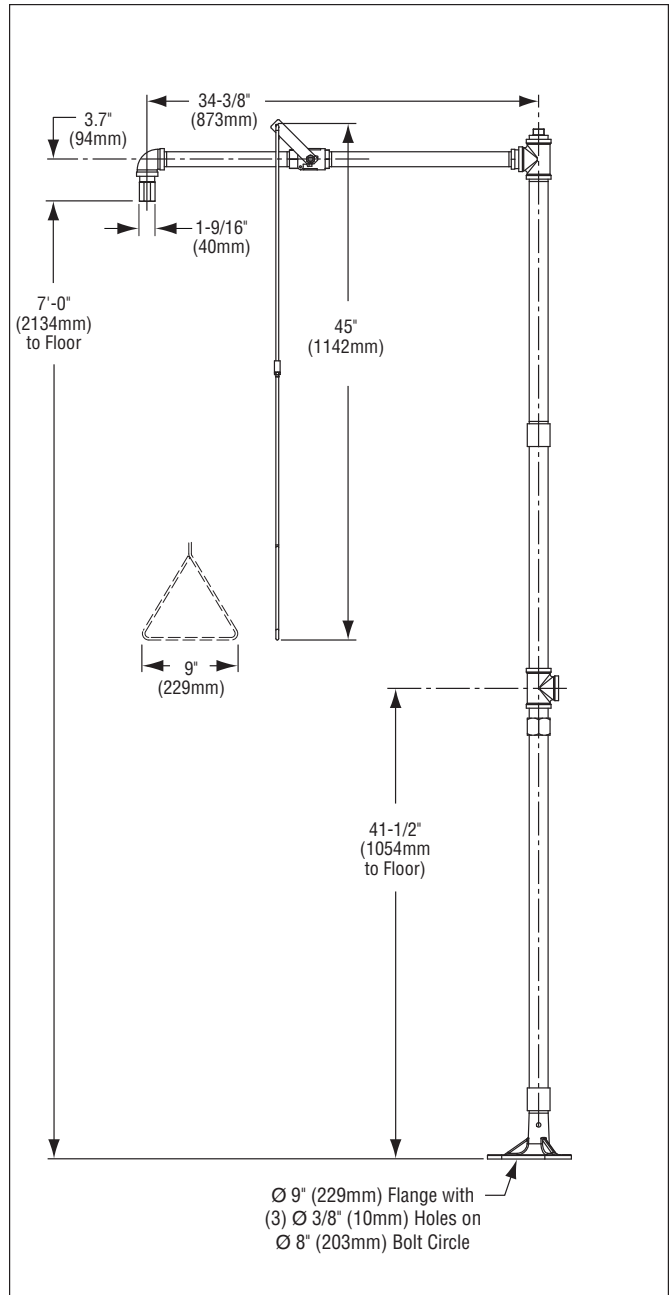


Model	Description
<input type="checkbox"/> S19-110BF	Freestanding Drench Shower (barrier-free model)
<input type="checkbox"/> S19-110BFSS	Freestanding Drench Shower (barrier-free model) - All Stainless Steel
<input type="checkbox"/> S19-2100	Navigator EFX25 - Emergency Thermostatic Mixing Valve

Model S19-110BF



Model S19-110BFSS



NOTE: All dimensions assume standard thread engagement. Variations in manufacturing allow for +/- 1/8" (3mm) per threaded joint. To find the tolerance of a dimension, add the number of thread joints in between a dimension and multiply it by 1/8" (3mm).