

**CHICAGO FAUCETS**  
a Geberit company

2100 South Clearwater Drive  
Des Plaines, IL 60018  
Phone: 847-803-5000  
Fax: 847-803-5454  
www.chicagofaucets.com

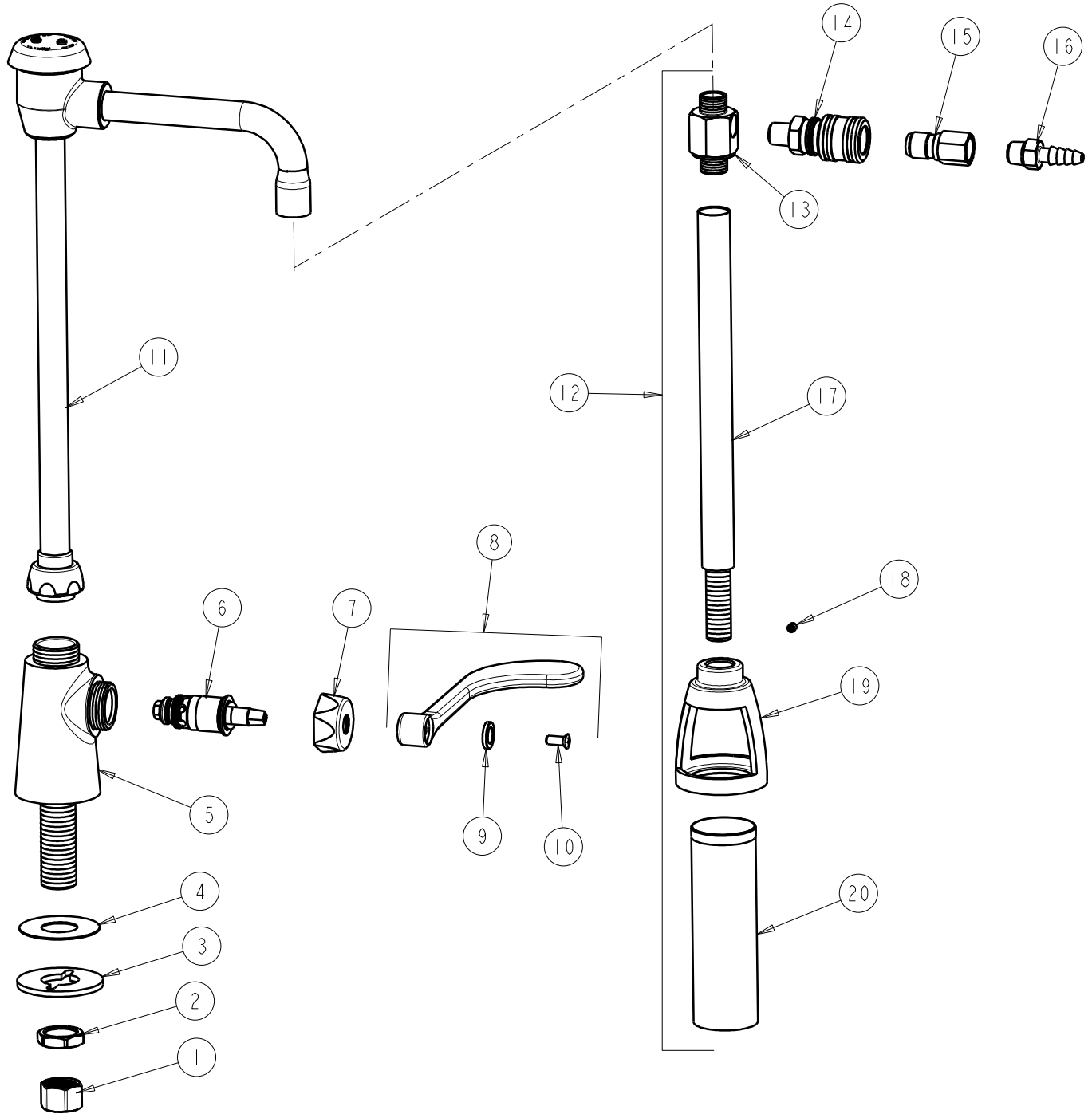
**REPAIR PARTS**

BY: SID DATE: 09-06-01  
CHK: *[Signature]* REV: 04-03-09

FITTING NO.  
**349-80102CP**  
SUBMITTED MODEL NO.

**FOR TECHNICAL ASSISTANCE**  
1-800-TEC-TRUE (1-800-832-8783)

ITEM NO.



ITEM	PART NO.	DESCRIPTION	ITEM	PART NO.	DESCRIPTION
1	49-005JKRBF	COUPLING NUT	11	SP3732JKCP	V.B. SPOUT
2	49-004JKRBF	LOCKNUT	12	SP3888JKCP	ASPIRATOR ASSEMBLY
3	807-112JKNF	WASHER	13	SP3719JKCP	VENTURI ASPIRATOR
4	52-007JKNF	WASHER, RUBBER	14	SP3773JKCP	HANSEN 1/4 MPT SOCKET
5	-----	VALVE BODY (NOT SOLD SEPARATELY)	15	SP3774JKCP	HANSEN PLUG
6	1-100XTJKNF	QUATURN UNIT (LH)	16	SP3775JKCP	LAB NOZZLE OUTLET
7	444-005JKCP	CAP	17	SP3890JKCP	RISER
8	319-COLDJKCP	WRISTBLADE HANDLE (COLD)	18	620-028JKNF	SET SCREW
9	633-123JKNF	INDEX BUTTON (BLUE)	19	-----	AIR GAP-RECEPTOR
10	420-010JKRCF	SCREW, 10-32 UNC PH 1/2	20	213-015JKCP	RECEPTOR TUBE