

- Complies with American National Standard Z358.1-2004
- Galvanized Steel Protected with BRADTECT™ Safety Yellow Coating
- Flush-Mounted with Concealed Pipe and Fittings
- Universal Identification Sign and Inspection Tag Included
- Full, One-Year Warranty
- Patent Pending



## Specifications

Barrier free design makes this drench shower unit fully accessible to people with physical disabilities. Bradley meets accessible codes by assuring proper placement of showerheads and extended pull rods. Unit saves space and fits easily into any work environment. Shower valve operates quickly by an extended pull rod with a triangular handle. Shower provides a superior washdown with a more even spray pattern.

- Drench shower is designed to accommodate standard 8' ceiling height. ANSI Z358.1 compliant drench showers are mounted between 82"-96" from the lower edge of the showerhead or shroud to the floor.

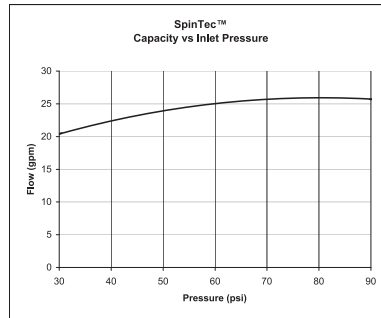
### cUPC Approved:

Model S19-120FMBF is certified to comply with the requirements of the Uniform Plumbing Code and the National Plumbing Code of Canada by the International Association of Plumbing and Mechanical Officials (IAPMO).

## Standard Equipment

### SpinTec™ Showerhead

3.1" (78.7mm) diameter highly visible yellow impact-resistant plastic. Integral flange mounts flush with finished ceiling. SpinTec drench showerhead features integral 23 GPM flow control, conserving water and helping to accurately size your tepid water system.



### Shower Valve

Chrome-plated brass 1" NPT stay-open ball valve. Operated by an extended stainless steel pull rod with triangular handle.

### Pipe and Fittings

Concealed galvanized steel with BRADTECT™ safety yellow coating.

### Water Supply

1-1/4" NPT horizontal.

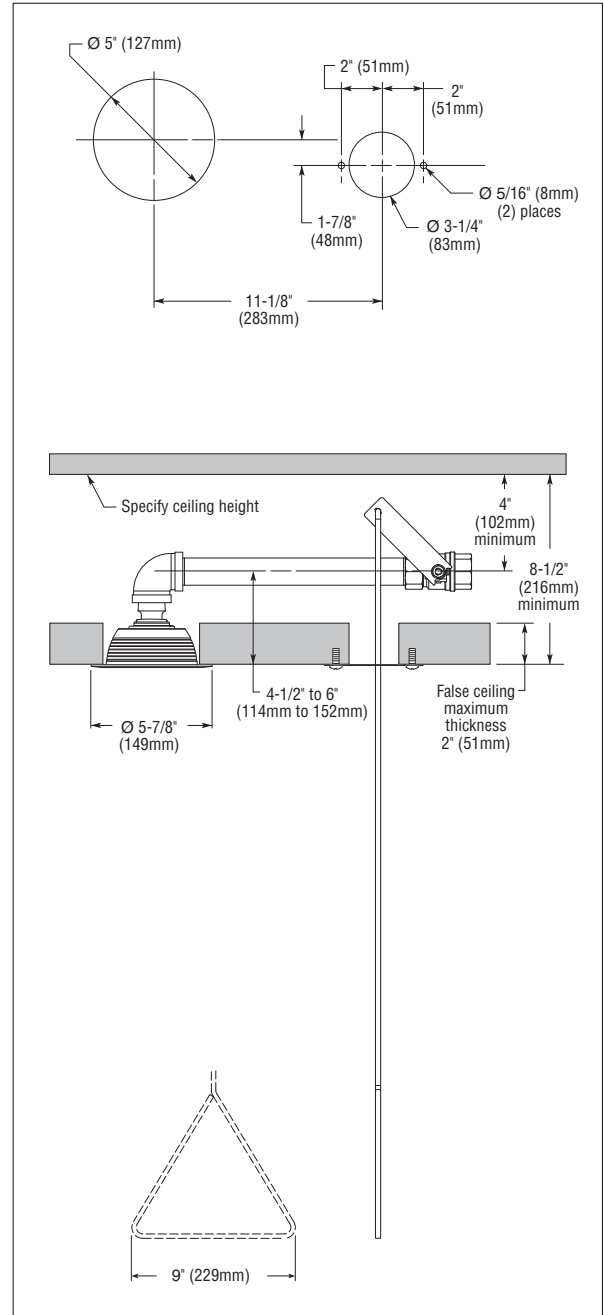
### Recommended Option:

Navigator S19-2100 EFX25  
Emergency Thermostatic Mixing Valve

## NAVIGATOR



Satisfies ANSI Z358.1-2004  
tepid water requirements.



Model	Description
<input type="checkbox"/> S19-120FMBF	Barrier Free Flush-Mounted Drench Shower w/ Horizontal Supply
<input type="checkbox"/> S19-2100	Navigator EFX25 - Emergency Thermostatic Mixing Valve