

- Complies with American National Standard Z358.1-2004
- Easily Mounts to Wall
- Galvanized Steel Protected with BRADTECT™ Safety Yellow Coating
- Universal Identification Sign and Inspection Tag Included
- Full, One-Year Warranty
- Patent Pending



## Specifications

Barrier-Free design makes this drench shower unit fully accessible to people with physical disabilities. Bradley meets accessibility codes by ensuring proper placement of shower heads and extended pull rods. Unit saves space and fits easily into any work environment. Shower valve operates quickly by an extended pull rod with a triangular handle.

- Drench shower is designed to accommodate standard 8' ceiling height. ANSI Z358.1 compliant drench showers are mounted between 82"-96" from the lower edge of the showerhead or shroud to the floor.

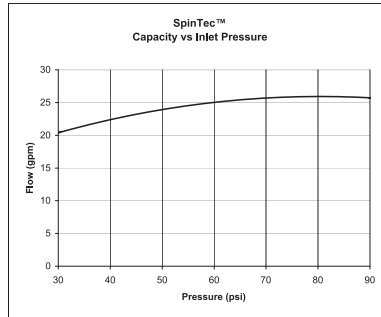
### cUPC Approved:

The Emergency Fixtures are certified to comply with the requirements of the Uniform Plumbing Code and the National Plumbing Code of Canada by the International Association of Plumbing and Mechanical Officials (IAPMO).

## Standard Equipment

### SpinTec™ Showerhead

Standard showerhead is 3.1" (78.7mm) diameter highly visible yellow impact-resistant plastic (Model S19-130ABF includes a 10-3/4" [273mm] diameter corrosion-resistant stainless steel shroud). High performance corrosion-resistant stainless steel showerhead with hexagonal profile measures 1-9/16" (40mm) point-to-point (Model S19-130SSBF only). SpinTec drench showerhead features integral 23 GPM flow control, conserving water and helping to accurately size your tepid water system.



### Valve

Chrome-plated brass 1" NPT stay-open ball valve, operated by stainless steel pull rod with triangular handle. Model S19-130SSBF is all stainless steel.

### Pipe and Fittings

Galvanized steel with BRADTECT™ safety yellow coating. S19-130SSBF is all stainless steel.

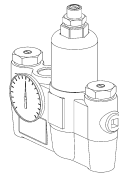
### Water Supply

1" NPT Vertical.

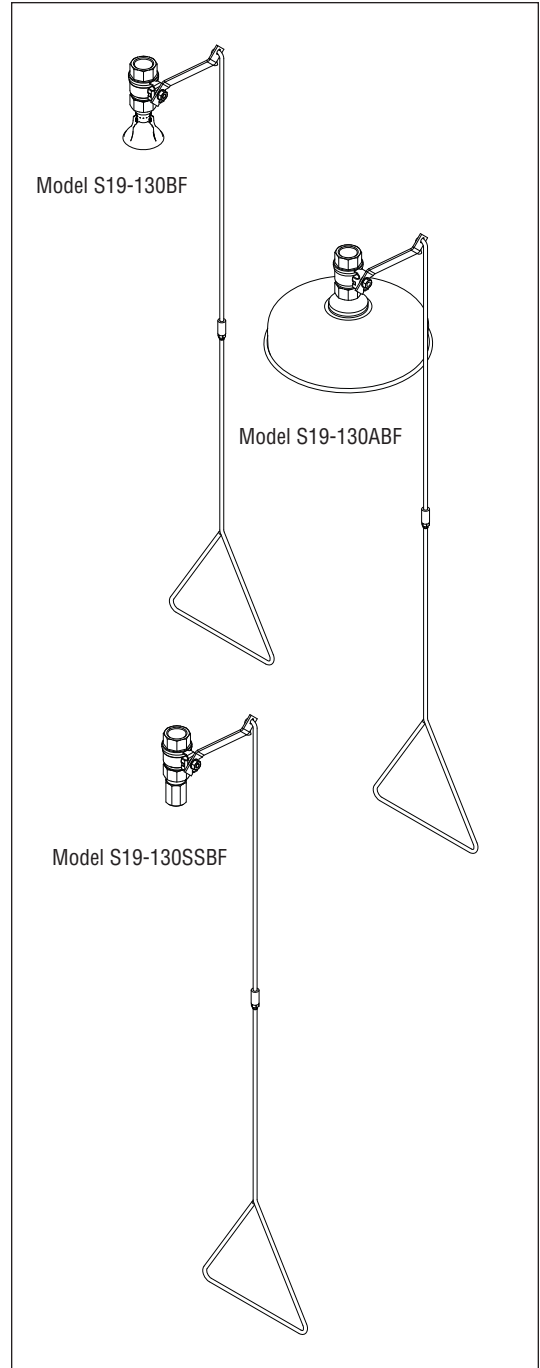
### Recommended Option:

Navigator S19-2100 EFX25  
Emergency Thermostatic Mixing Valve

**NAVIGATOR**



Satisfies ANSI Z358.1-2004  
tepid water requirements.



Model	Description
<input type="checkbox"/> S19-130BF	Barrier Free Drench Shower w/Vertical Supply - <b>Plastic Showerhead</b>
<input type="checkbox"/> S19-130ABF	Barrier Free Drench Shower w/Vertical Supply - <b>Plastic Showerhead with Stainless Steel Shroud</b>
<input type="checkbox"/> S19-130SSBF	Barrier Free Drench Shower w/Vertical Supply - <b>All-Stainless Steel Fixture</b>
<input type="checkbox"/> S19-2100	Navigator EFX25 - Emergency Thermostatic Mixing Valve

