

Pedestal-Mounted Eyewash Fixture w/ Hinged Dust Cover

Model S19-210DC (Shown)

Model S19-210SC

- Complies with American National Standard Z358.1-2004
- Galvanized Steel Pipe and Waste Tee With Floor Flange Protected with BRADTECT™ Safety Yellow Coating or all Stainless Steel
- Universal Identification Sign and Inspection Tag Included
- Full, One-Year Warranty

Specifications

Unit design saves space and fits easily into any work environment. Eyewash operates quickly by a large, highly visible push handle. Safe, steady water flow under varying water supply conditions from 30-90 PSI is assured by integral flow control in the sprayhead assembly.

UPC and cUPC Approved:

The Emergency Fixtures are certified to comply with the requirements of the Uniform Plumbing Code and the National Plumbing Code of Canada by the International Association of Plumbing and Mechanical Officials (IAPMO).

Construction

Eyewash bowl, hinged dust cover and push handle are stainless steel. Galvanized steel pipe and waste tee with floor flange are additionally protected with BRADTECT™ safety yellow coating. S19-210SC is all stainless steel construction.

Standard Equipment

Eyewash Bowl

10" (254mm) diameter stainless steel.

Standard Sprayhead Assembly

Chrome-plated brass sprayhead assembly with twin, soft flow, eyewash heads and protective sprayhead covers. The integral flow control assures safe, steady flow under varying water supply conditions from 30-90 PSI. S19-210SC is stainless steel.

Valve

Chrome-plated brass 1/2" IPS stay-open ball valve. Hand operated by a large, highly visible stainless steel push handle. S19-210SC is stainless steel.

Hinged Dust Cover

Stainless steel dust cover keeps contaminants, dust and debris from eye washing area.

Pipe and Fittings

Galvanized steel and waste tee with floor flange protected with BRADTECT™ safety yellow coating. S19-210SC is stainless steel.



Waste

Dome-type strainer and 1-1/4" drain fitting furnished.

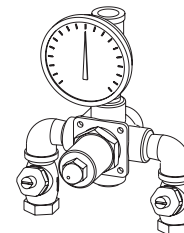
Water Supply

1/2" IPS.

Recommended Option:

Navigator S19-2000 EFX8
Emergency Thermostatic Mixing Valve

NAVIGATOR



Satisfies ANSI Z358.1-2004
tepid water requirements.

Document No. 4170

This information is subject to change without formal notice.
© 2004 Bradley Corporation
8-18-2006 (2 Pages Total)

Bradley 

P.O. Box 309, Menomonee Falls, WI 53052-0309
Phone 1-800-BRADLEY FAX 262-251-5817
Web Site: <http://www.bradleycorp.com>

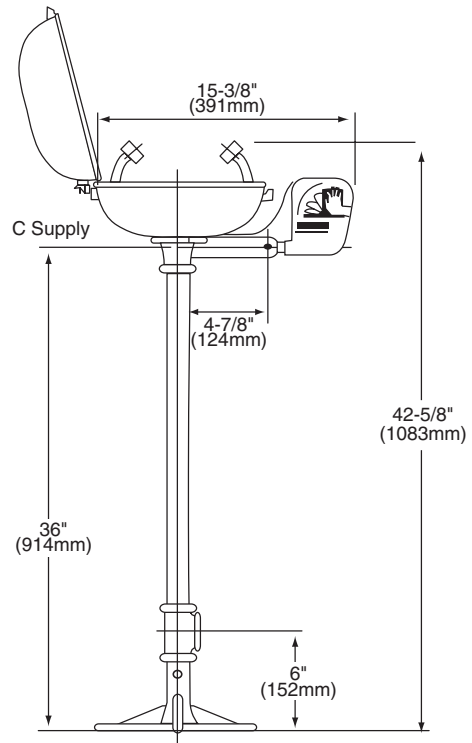


SEI CERTIFIED
MODEL
Z358.1-2004

Pedestal-Mounted Eyewash Fixture w/ Hinged Dust Cover

Model S19-210DC (Shown)
Model S19-210SC

MODEL	
Model No.	Description
<input type="checkbox"/> S19-210DC	Pedestal-Mounted Eyewash Fixture w/ Hinged Dust Cover
<input type="checkbox"/> S19-210SC	Pedestal-Mounted Eyewash Fixture w/ Hinged Dust Cover All Stainless Steel Fixture
<input type="checkbox"/> S19-2000	Navigator EFX8 – Emergency Thermostatic Mixing Valve



Document No. 4170

This information is subject to change without formal notice.
© 2004 Bradley Corporation
8-18-2006 (2 Pages Total)



P.O. Box 309, Menomonee Falls, WI 53052-0309
Phone 1-800-BRADLEY FAX 262-251-5817
Web Site: <http://www.bradleycorp.com>