

- Complies with American National Standard Z358.1-2004
- Galvanized Steel Protected with BRADTECT™ Safety Yellow Coating
- Universal Identification Sign and Inspection Tag Included
- Full, One-Year Warranty

Specifications

Barrier-free accessibility. Unit design saves space and fits easily into any work environment. Eyewash operates quickly by a large, highly visible push handle. Safe, steady water flow under varying water supply conditions from 30-90 PSI is assured by integral flow control in the sprayhead assembly.

cUPC Approved:

The Emergency Fixtures are certified to comply with the requirements of the Uniform Plumbing Code and the National Plumbing Code of Canada by the International Association of Plumbing and Mechanical Officials (IAPMO).

Standard Equipment

Eyewash Bowl

10" (254mm) diameter yellow impact-resistant plastic or 10-3/4" (273mm) diameter corrosion-resistant stainless steel.

Standard Sprayhead Assembly

Chrome-plated brass sprayhead assembly with twin, soft flow, eyewash heads and protective sprayhead covers. The integral flow control assures safe, steady flow under varying water supply conditions from 30-90 PSI.

Valve

Chrome-plated brass 1/2" NPT stay-open ball valve. Hand operated by a large, highly visible safety yellow PVC push handle.

Pipe and Fittings

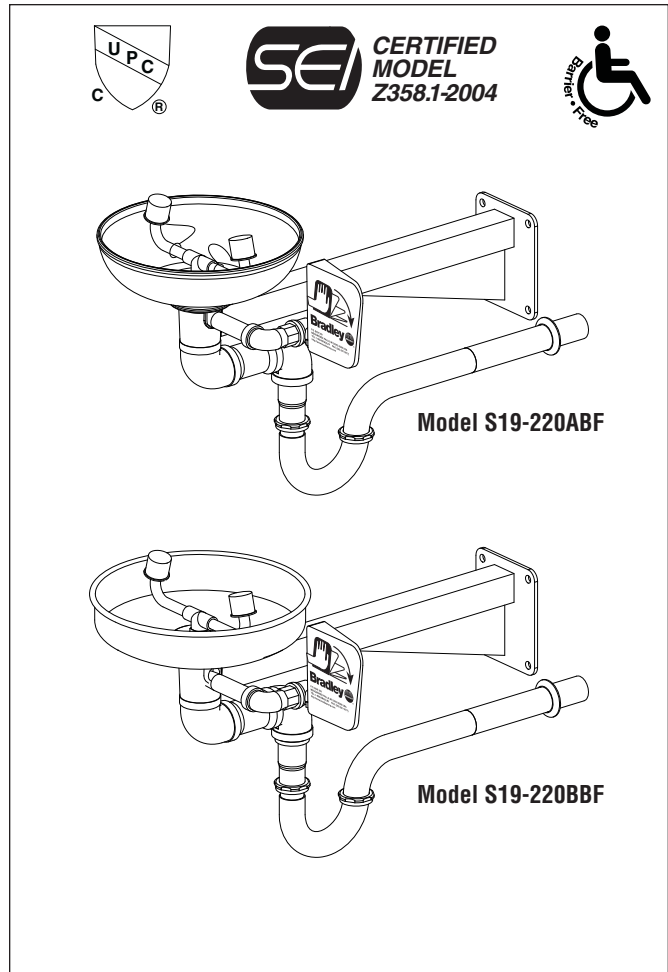
1/2" stainless steel pipe and bracket.

Waste

1-1/4" drain fitting, tailpiece and trap furnished.


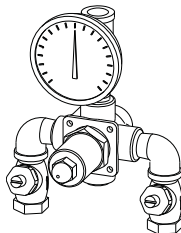
Water Supply

1/2" NPT.



Model	Description
<input type="checkbox"/> S19-220ABF	Barrier-Free Wall-Mounted Eyewash - Plastic Bowl
<input type="checkbox"/> S19-220BBF	Barrier-Free Wall-Mounted Eyewash - Stainless Steel Bowl
<input type="checkbox"/> S19-2000	Navigator EFX8 - Emergency Thermostatic Mixing Valve

Recommended Option:
Navigator S19-2000 EFX8
Emergency Thermostatic Mixing
Valve

Satisfies ANSI Z358.1-2004
tepid water requirements.

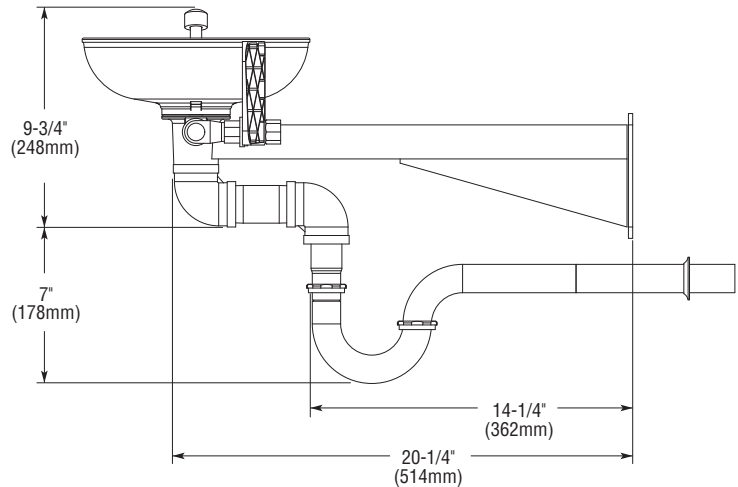
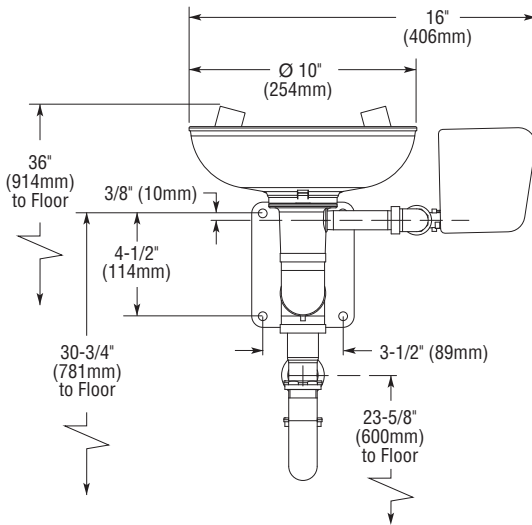
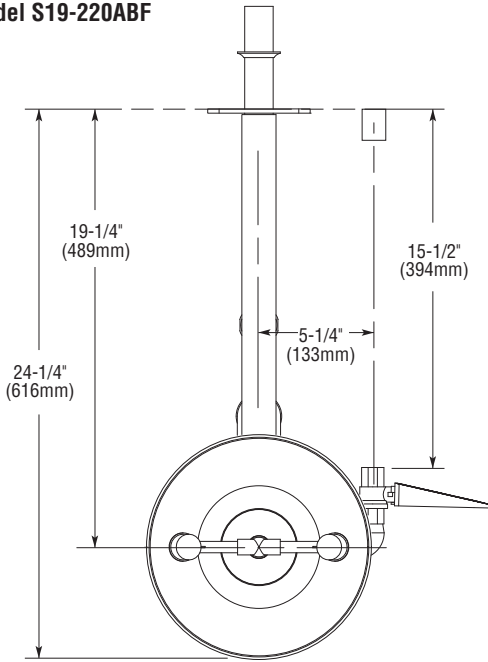


All dimensions assume standard thread engagement. Variations in manufacturing allow for +/- 1/8" (3mm) per threaded joint. To find the tolerance of a dimension, add the number of thread joints in between a dimension and multiply it by 1/8" (3mm).



Local codes may require the installation of a backflow prevention valve to complete proper installation. Compliance with local codes is the responsibility of the installer. Valve must be tested annually to verify that it is functioning properly. Backflow prevention valves are not included with the fixture and may be supplied by the contractor or purchased from Bradley Corporation.

Model S19-220ABF



Model S19-220BBF

