

# Eyewash Fixture w/ Hinged Dust Cover, Wall Bracket, Tailpiece and Trap

## Model S19-220DCPT

- Complies with American National Standard Z358.1-2004
- Galvanized Steel Protected with BRADTECT™ Safety Yellow Coating
- Universal Identification Sign and Inspection Tag Included
- Full, One-Year Warranty

### Specifications

Unit design saves space and fits easily into any work environment. Eyewash operates quickly by a large, highly visible push handle. Safe, steady water flow under varying water supply conditions from 30-90 PSI is assured by integral flow control in the sprayhead assembly.

#### UPC and cUPC Approved:

The Emergency Fixtures are certified to comply with the requirements of the Uniform Plumbing Code and the National Plumbing Code of Canada by the International Association of Plumbing and Mechanical Officials (IAPMO).

### Construction

Eyewash bowl, hinged dust cover and push handle are stainless steel. Galvanized steel piping and wall mounting bracket are additionally protected with BRADTECT™ safety yellow coating. Galvanized steel tailpiece and trap waste assembly provided.

### Standard Equipment

#### Eyewash Bowl

10" (254mm) diameter stainless steel.

#### Standard Sprayhead Assembly

Chrome-plated brass sprayhead assembly with twin, soft flow, eyewash heads and protective sprayhead covers. The integral flow control assures safe, steady flow under varying water supply conditions from 30-90 PSI.

#### Valve

Chrome-plated brass 1/2" IPS stay-open ball valve. Hand operated by a large, highly visible stainless steel push handle.

#### Hinged Dust Cover

Stainless steel cover keeps contaminants, dust and debris from eye washing area.

#### Pipe and Fittings

1/2" galvanized steel protected with BRADTECT™ safety yellow coating.

#### Wall Bracket

Heavy-gauge sand cast aluminum protected with BRADTECT™ safety yellow coating. Three clearance holes for wall mounting bracket; bolts by others.

#### Waste

1-1/4" drain fitting, tailpiece and trap furnished.

#### Water Supply

1/2" IPS.

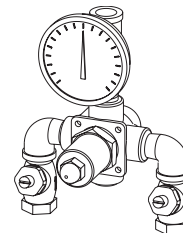
Document No. 4292



#### Recommended Option:

Navigator S19-2000 EFX8  
Emergency Thermostatic Mixing Valve

**NAVIGATOR**



Satisfies ANSI Z358.1-2004  
tepid water requirements.

**Bradley** 

P.O. Box 309, Menomonee Falls, WI 53052-0309  
Phone 1-800-BRADLEY FAX 262-251-5817  
Web Site: <http://www.bradleycorp.com>

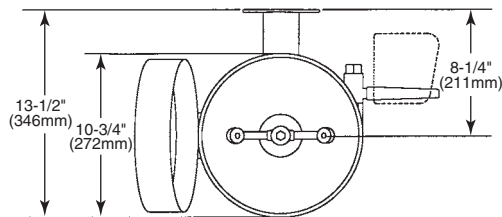
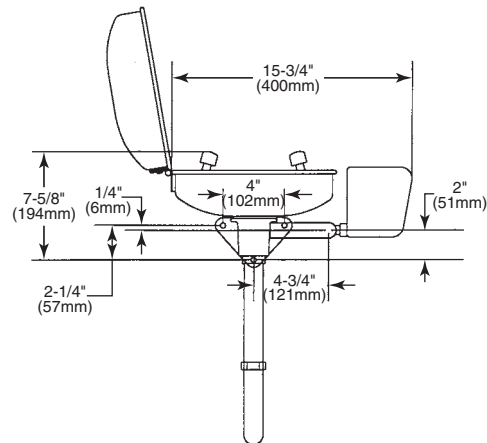
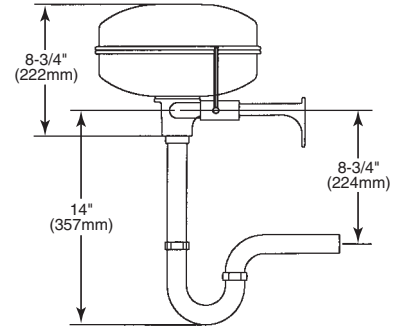


**SEI** CERTIFIED  
MODEL  
Z358.1-2004

# Eyewash Fixture w/ Hinged Dust Cover, Wall Bracket, Tailpiece and Trap

## Model S19-220DCPT

MODEL	
Model No.	Description
<input type="checkbox"/> S19-220DCPT	Eyewash Fixture w/ Hinged Dust Cover and Wall Bracket, Tailpiece and Trap
<input type="checkbox"/> S19-2000	Navigator EFX8 – Emergency Thermostatic Mixing Valve



Document No. 4292

This information is subject to change without formal notice.  
© 2006 Bradley Corporation  
10-11-2006 (2 Pages Total)



P.O. Box 309, Menomonee Falls, WI 53052-0309  
Phone 1-800-BRADLEY FAX 262-251-5817  
Web Site: <http://www.bradleycorp.com>