

Eye/Face Wash Fixture w/ No Wall Bracket

Model S19-230FW

Model S19-230T (Shown)

- Complies with American National Standard Z358.1-2004
- Galvanized Steel Protected with BRADTECT™ Safety Yellow Coating
- Universal Identification Sign and Inspection Tag Included
- Full, One-Year Warranty



Specifications

Unit design saves space and fits easily into any work environment. Eyewash operates quickly by a large, highly visible push handle. Safe, steady water flow under varying water supply conditions from 30-90 PSI is assured by integral flow control in the sprayhead assembly.

UPC and cUPC Approved:

The Emergency Fixtures are certified to comply with the requirements of the Uniform Plumbing Code and the National Plumbing Code of Canada by the International Association of Plumbing and Mechanical Officials (IAPMO).

Construction

Impact resistant plastic eyewash bowl is colored bright yellow for high visibility in emergency situations or is corrosion resistant stainless steel. Galvanized steel piping is additionally protected with BRADTECT™ safety yellow coating. Chrome plated tailpiece provided.

Standard Equipment

Eyewash Bowl

10" (254mm) diameter yellow impact plastic or stainless steel.

Eye/Face Wash Spray Heads

Twin perforated disc eye/face wash heads with protective pop-off spray-head covers. Safe, steady water flow under varying water supply conditions is assured by a flow control for 30-90 PSI.

Valve

Chrome-plated brass 1/2" IPS stay-open ball valve. Hand operated by a large, highly visible safety yellow PVC push handle.

Pipe and Fittings

1/2" galvanized steel protected with BRADTECT™ safety yellow coating.

Waste

1-1/4" drain fitting and tailpiece furnished.

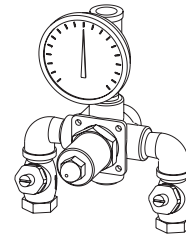
Water Supply

1/2" IPS.

Recommended Option:

Navigator S19-2000 EFX8
Emergency Thermostatic Mixing Valve

NAVIGATOR



Satisfies ANSI Z358.1-2004
tepid water requirements.

Document No. 4440



SEI CERTIFIED
MODEL
Z358.1-2004

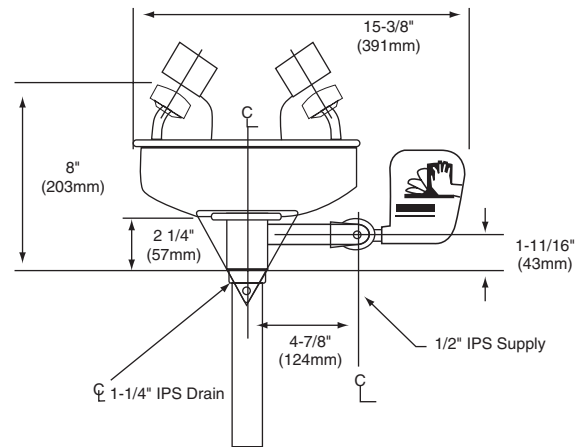
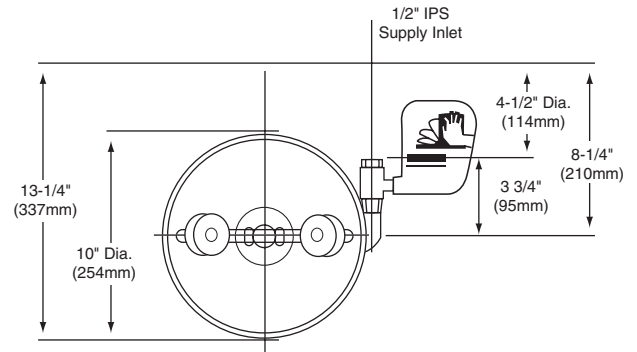
**PLUMBING FIXTURES
TECHNICAL DATA**

Eye/Face Wash Fixture w/ No Wall Bracket

Model S19-230FW

Model S19-230T (Shown)

MODEL	
Model No.	Description
<input type="checkbox"/> S19-230FW	Eye/Face Wash Fixture W/ No Wall Bracket- Plastic Bowl
<input type="checkbox"/> S19-230T	Eye/Face Wash Fixture W/ No Wall Bracket- Stainless Steel Bowl
<input type="checkbox"/> S19-2000	Navigator EFX8 – Emergency Thermostatic Mixing Valve



Document No. 4440

This information is subject to change without formal notice.
© 2006 Bradley Corporation
10-11-2006 (2 Pages Total)



P.O. Box 309, Menomonee Falls, WI 53052-0309
Phone 1-800-BRADLEY FAX 262-251-5817
Web Site: <http://www.bradleycorp.com>