

- Complies with American National Standard Z358.1-2004
- Simultaneous Operation Drench Shower and Eye/Face Wash
- Galvanized Steel Protected with BRADTECT™ Safety Yellow Coating
- Universal Identification Sign and Inspection Tag Included
- Full, One-Year Warranty
- Patent Pending



Specifications

Simultaneous Operation Drench Shower and Eye/Face Wash Unit is made specifically for areas subject to freezing. This unit saves space and fits easily into any work environment. Shower valve and eye/face wash valve operate quickly by a large, highly visible push handle. Shower provides a superior washdown with a more even spray pattern. Safe, steady water flow under varying water supply conditions from 30–90 PSI is assured by integral flow control in the sprayhead assembly. NOTE: The ANSI Z358.1 standard requires an uninterrupted supply of flushing fluid at a minimum 30 PSI flowing pressure.

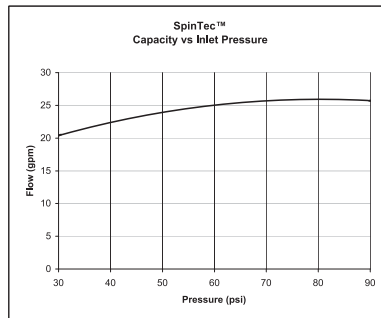
cUPC Approved:

S19-310HFP is certified to comply with the requirements of the Uniform Plumbing Code and the National Plumbing Code of Canada by the International Association of Plumbing and Mechanical Officials (IAPMO).

Standard Equipment

SpinTec™ Showerhead

3.1" (78.7mm) diameter highly visible yellow impact-resistant plastic. SpinTec drench showerhead features integral 23 GPM flow control, conserving water and helping to accurately size your tepid water system.



Shower Valve

Chrome-plated brass 1" NPT stay-open ball valve. Operated by a stainless steel pull rod with triangular handle.

Eye/Face Wash Sprayhead Assembly

Twin perforated-disc eye/face wash heads with protective pop-off sprayhead covers, operated by a large, highly visible stainless steel push handle. Safe, steady water flow under varying water supply conditions from 30–90 PSI is assured by integral flow control in the sprayhead assembly. NOTE: The ANSI Z358.1 standard requires an uninterrupted supply of flushing fluid at a minimum 30 PSI flowing pressure.

Frost-Proof Shower and Eye/Face Wash Valve (Simultaneous Operation)

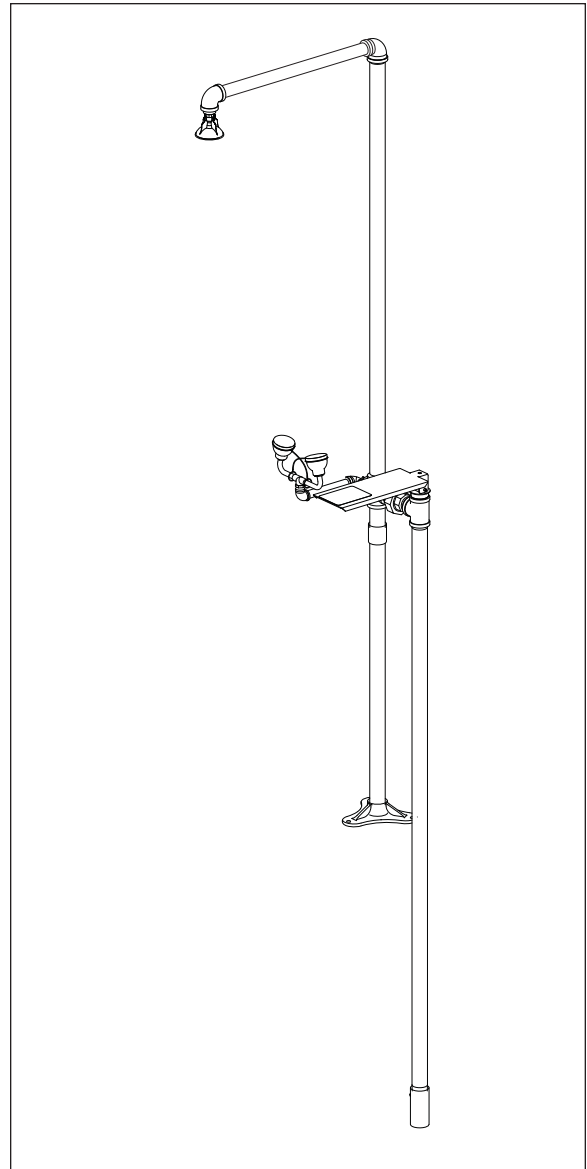
1" NPT stay-open valve. Hand operated by a large, highly visible stainless steel push handle.

Pipe and Fittings

Galvanized steel protected with BRADTECT™ safety yellow coating. Standard depth is 36" (914mm). Special order for other bury depths.(18"–48"–60"–72") NOTE: Special order depths are non-returnable.

Water Supply

1-1/4" NPT.



Recommended Option:

Navigator S19-2100 EFX25
Emergency Thermostatic Mixing Valve

NAVIGATOR



Satisfies ANSI Z358.1-2004
tepid water requirements.

Model	Description
<input type="checkbox"/> S19-310HFP	Frost-Proof Drench Shower and Eye/Face Wash Unit
<input type="checkbox"/> S19-2100	Navigator EFX25 - Emergency Thermostatic Mixing Valve



Local codes may require the installation of a backflow prevention valve to complete proper installation. Compliance with local codes is the responsibility of the installer. Valve must be tested annually to verify that it is functioning properly. Backflow prevention valves are not included with the fixture and may be supplied by the contractor or purchased from Bradley Corporation.



All dimensions assume standard thread engagement. Variations in manufacturing allow for +/- 1/8" (3mm) per threaded joint. To find the tolerance of a dimension, add the number of thread joints in between a dimension and multiply it by 1/8" (3mm).

