

- Complies with American National Standard Z358.1-2004
- Galvanized Steel Protected with BRADTECT™ Safety Yellow Coating
- Universal Identification Sign and Inspection Tag Included
- Full, One-Year Warranty
- Patent Pending

Specifications

Combination Drench Shower/Eyewash Unit saves space and fits easily into any work environment. Shower valve operates quickly by a pull rod with a triangular handle. Shower provides a superior washdown with a more even spray pattern. Eyewash operated by a large, highly visible push handle. Safe, steady water flow under varying water supply conditions from 30–90 PSI is assured by integral flow control in the sprayhead assembly. NOTE: The ANSI Z358.1 standard requires an uninterrupted supply of flushing fluid at a minimum 30 PSI flowing pressure.

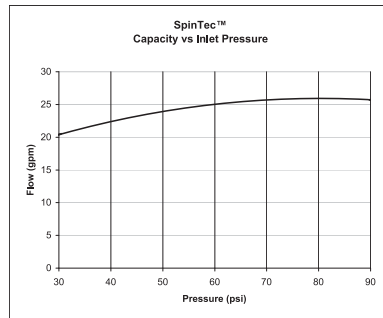
cUPC Approved:

The Emergency Fixtures are certified to comply with the requirements of the Uniform Plumbing Code and the National Plumbing Code of Canada by the International Association of Plumbing and Mechanical Officials (IAPMO).

Standard Equipment

SpinTec™ Showerhead

3.1" (78.7mm) diameter highly visible yellow impact-resistant plastic includes 10-3/4" [273mm] diameter corrosion-resistant stainless steel shroud. High performance stainless steel showerhead is type 316 corrosion-resistant. SpinTec drench showerhead features integral 23 GPM flow control, conserving water and helping to accurately size your tepid water system.



Eyewash Bowl

10-3/4" (273mm) diameter corrosion-resistant stainless steel.

Standard Sprayhead Assembly

Chrome-plated brass sprayhead with twin, soft flow, eyewash heads and protective sprayhead covers. Safe, steady water flow under varying water supply conditions from 30–90 PSI is assured by integral flow control in the sprayhead assembly. NOTE: The ANSI Z358.1 standard requires an uninterrupted supply of flushing fluid at a minimum 30 PSI flowing pressure.

Shower Valve

Chrome-plated brass 1" NPT stay-open ball valve. Operated by a stainless steel pull rod with triangular handle.

Eyewash Valve

Chrome-plated brass 1/2" NPT stay-open ball valve. Hand operated by highly visible stainless steel push handle or foot valve.

Pipe and Fittings

1-1/4" galvanized steel with BRADTECT™ safety yellow coating.

Water Supply

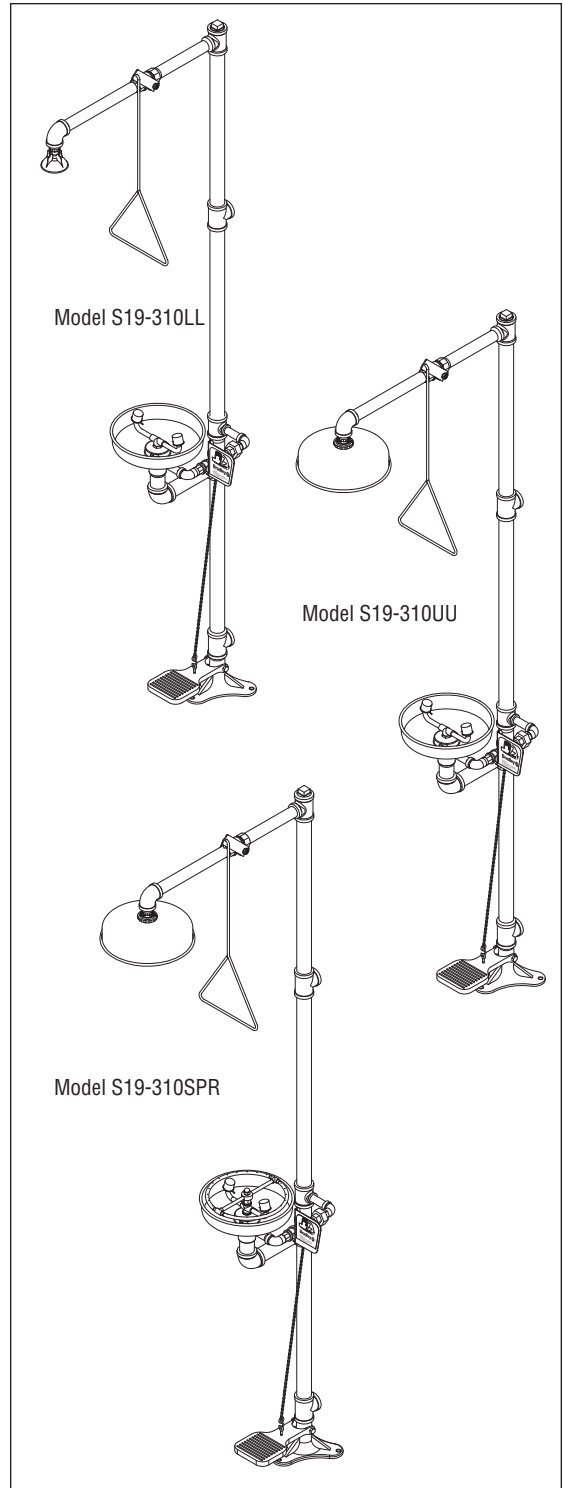
1-1/4" NPT.

Recommended Option:
 Navigator S19-2100 EFX25
 Emergency Thermostatic Mixing Valve



NAVIGATOR

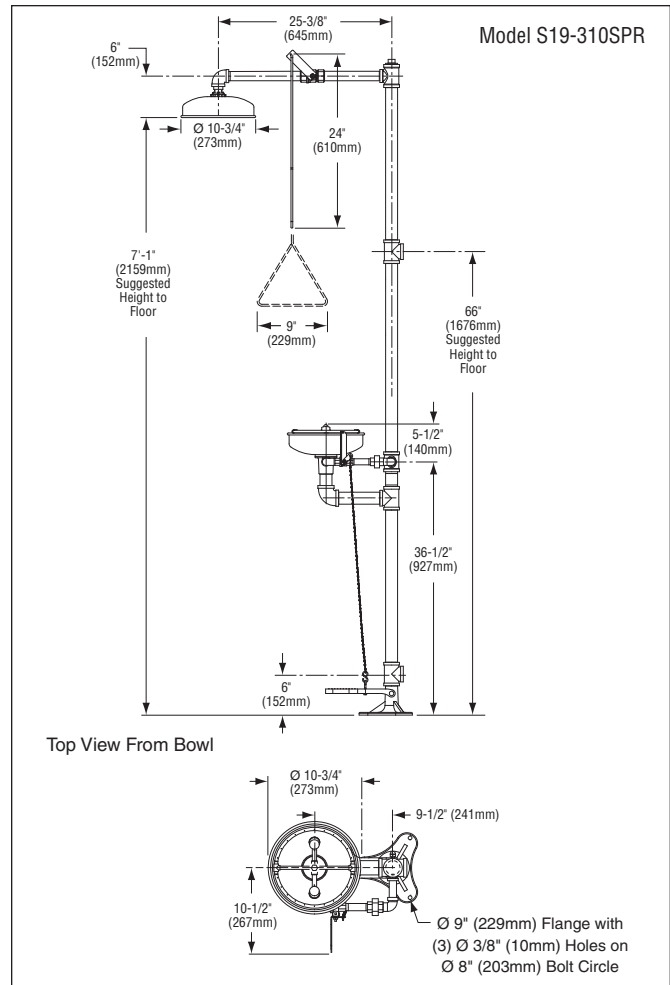
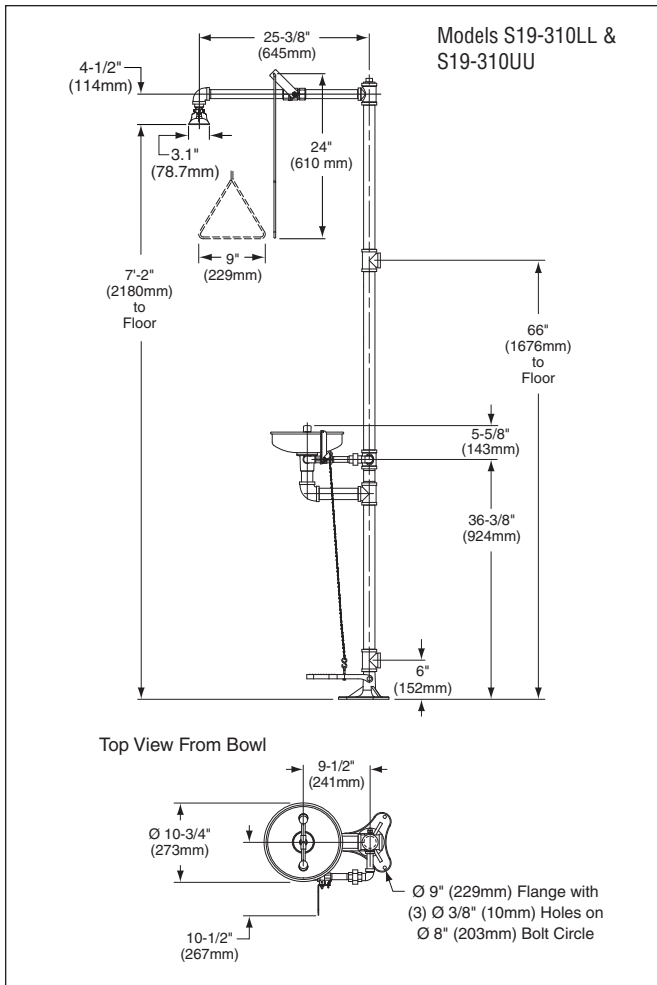
Satisfies ANSI Z358.1-2004 tepid water requirements.



Model	Description
<input type="checkbox"/> S19-310LL	Drench Shower/Eyewash - Plastic Showerhead and Stainless Steel Bowl
<input type="checkbox"/> S19-310UU	Drench Shower/Eyewash - Stainless Steel Showerhead and Bowl
<input type="checkbox"/> S19-310SPR	Drench Shower/Eye/Face Wash w/Face Spray Ring - Stainless Steel Showerhead and Bowl
<input type="checkbox"/> S19-2100	Navigator EFX25 - Emergency Thermostatic Mixing Valve



Local codes may require the installation of a backflow prevention valve to complete proper installation. Compliance with local codes is the responsibility of the installer. Valve must be tested annually to verify that it is functioning properly. Backflow prevention valves are not included with the fixture and may be supplied by the contractor or purchased from Bradley Corporation.



All dimensions assume standard thread engagement. Variations in manufacturing allow for +/- 1/8" (3mm) per threaded joint. To find the tolerance of a dimension, add the number of thread joints in between a dimension and multiply it by 1/8" (3mm).