

Hand-Held Hose Spray/Wall Mount

Model S19-600 (12' Hose)
Model S19-610 (25' Hose)

- Complies with American National Standard Z358.1-2004
- Highly Visible Yellow-Colored Hose
- Face Spray Floods Large Areas as well as Eyes Only
- Wall Bracket Included
- Universal Identification Sign and Inspection Tag Included
- Full, One-Year Warranty

Specifications

Quick-access emergency eye and face spray features soft flow sprayhead for flooding large areas as well as eyes only. Self-coiling hose retracts for easy storage while allowing instant extension in emergency situations. Water flows when handle on chrome-plated brass assembly is squeezed.

UPC and cUPC Approved:

The Emergency Fixtures are certified to comply with the requirements of the Uniform Plumbing Code and the National Plumbing Code of Canada by the International Association of Plumbing and Mechanical Officials (IAPMO).

Construction

12' or 25' (3655mm or 7614mm) hose is colored yellow for high visibility. Hose burst strength is 660 PSI. Metal parts of bracket for sprayhead/valve assembly are polished chrome-plated brass.

Standard Equipment

Eye/Face Spray

Perforated sprayhead is ABS plastic and features soft flow sprayhead for flooding large areas as well as eyes only. Protective sprayhead covers included. The integral flow assures safe, steady flow under varying water supply conditions.

Valve

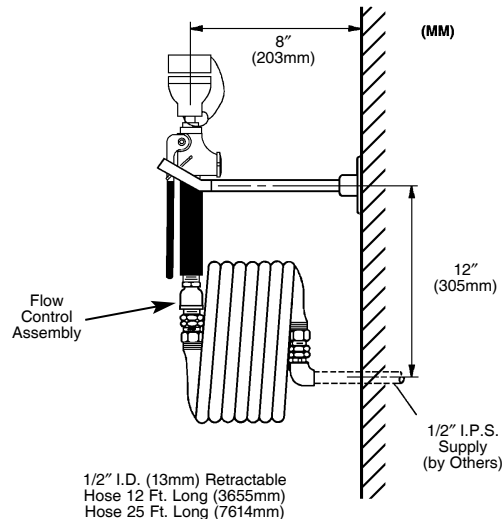
Chrome plated brass with extended handle stays open until manually closed.

Hand-Held, Recoiling Drench Hose

Self-coiling hose retracts for easy storage while allowing instant extension in emergency situations. Water flows when handle on chrome-plated brass assembly is squeezed. Hose burst strength is 660 PSI.

Wall Bracket

Metal parts of bracket for sprayhead/valve assembly are polished chrome plate.



IMPORTANT NOTES:

- Drench hoses must provide a controlled flushing fluid flow that is both tepid and non-injurious to the user per ANSI Z358.1-2004. Refer to ANSI Z358.1-2004 for complete regulatory information regarding the performance, installation, maintenance, and training requirements for drench hoses.
- Installer to supply backflow prevention as required by UPC, IPC and/or local plumbing codes. Contact Bradley or visit www.bradleycorp.com for available options.

MODEL

Model No.	Description
<input type="checkbox"/> S19-600	12' Hand-Held Hose Spray
<input type="checkbox"/> S19-610	25' Hand-Held Hose Spray

Document No. 4860

This information is subject to change without formal notice.
© 2004 Bradley Corporation
10-11-2005 (1 Page Total)

Bradley

P.O. Box 309, Menomonee Falls, WI 53052-0309
Phone 1-800-BRADLEY FAX 262-251-5817
Web Site: <http://www.bradleycorp.com>