



□ **G1101** EyeSafe-X™ Faucet-Mounted Eyewash, Adjustable Aerated Outlet Heads



APPLICATION: EyeSafe™ faucet-mounted eyewashes convert any faucet into an emergency eyewash station without interfering with normal faucet operation. An EyeSafe™ unit can be installed at any sink, close to where accidents might occur. In an emergency, unit is quickly located and activated, and provides an unlimited supply of potable water for rinsing the user's eyes.

OUTLET HEADS: Outlet heads are mounted 5" apart and deliver a soft, aerated flow of water. Heads angle forward and inward toward user. Angle of heads is adjustable to permit full coverage and avoid splashing. Furnished with float-off dust covers to protect outlet heads.

VALVE: Forged brass diverter valve. Pull knob to activate eyewash; water pressure holds eyewash in operation, leaving user's hands free. Push knob or turn off faucet to return to normal faucet operation.

INLET: Body has 55/64"-27 female thread. Furnished with three adaptors (15/16"-27, 13/16"-27 and 3/8" IPS) for installing on most commonly used faucets, including laboratory-type faucets.

OUTLET: Furnished with removable aerator on bottom.

QUALITY ASSURANCE: Each unit is completely assembled and water tested prior to shipment.

IMPORTANT: *Faucet-mounted eyewashes, whether manufactured by Guardian Equipment or other companies, require two motions to operate (turn on water, pull knob to activate eyewash flow). Therefore, Guardian does not believe that these units meet the provisions of ANSI Z358.1-2004 as eyewash units. These units are intended solely as supplemental units in addition to dedicated, plumbed eyewash equipment installed in the workplace.*

Faucet-mounted eyewashes should be used with cold or warm water only. Use of hot water might cause scalding.

Available Options

- **AP400-012** Inlet adaptor with 13/16"-24 female thread.
- **250-046R** Replacement float-off dust covers (package of 2).





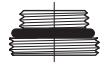
G1101 EyeSafe-X™ Faucet-Mounted Eyewash, Adjustable Aerated Outlet Heads



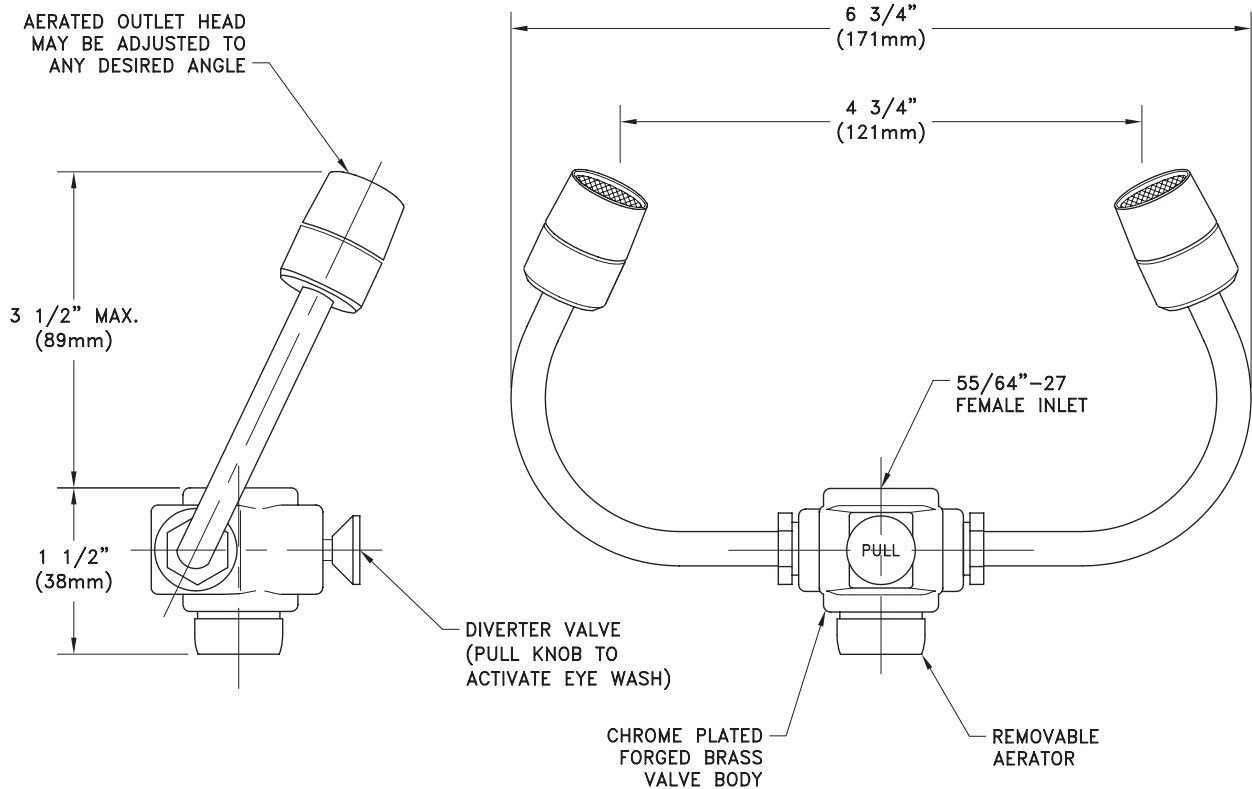
15/16"–27 ADAPTOR



13/16"–27 ADAPTOR



3/8" NPS ADAPTOR



NOTES:

1. USE COLD OR WARM WATER ONLY WITH FAUCET-MOUNTED EYE WASH.
2. THIS UNIT IS INTENDED AS A SUPPLEMENT TO, BUT NOT A REPLACEMENT FOR, DEDICATED PLUMBED-IN EYE WASH EQUIPMENT.

THIS SPACE FOR ARCHITECT/ENGINEER APPROVAL

Due to continuing product improvement, the information contained in this document is subject to change without notice. All dimensions are ± 1/4" (6mm). rev. 0308

Sign Included

