



G1786 Eye/Face Wash, Pedestal Mounted, All-PVC Construction

APPLICATION: Free standing, pedestal mounted eye/face wash. Constructed entirely in PVC and PVC-coated brass. Ideal for industrial environments where harsh acids or caustics are present. Two large FS-Plus™ spray-type outlet heads deliver a flood of water for rinsing eyes and face.

SPRAY HEAD ASSEMBLY: Two FS-Plus™ spray heads. Each head has a “flip top” dust cover, internal flow control and filter to remove impurities from the water flow.

VALVE: 1/2" IPS PVC-coated brass stay-open ball valve. Valve is US-made with chrome plated brass ball and Teflon® seals.

BOWL: 11 1/2" diameter orange ABS plastic.

PIPE AND FITTINGS: Schedule 80 PVC.

SUPPLY: 1/2" NPT female inlet.

WASTE: 2" socket weld female outlet.

SIGN: ANSI-compliant identification sign.

QUALITY ASSURANCE: Unit is completely assembled and water tested prior to shipment.

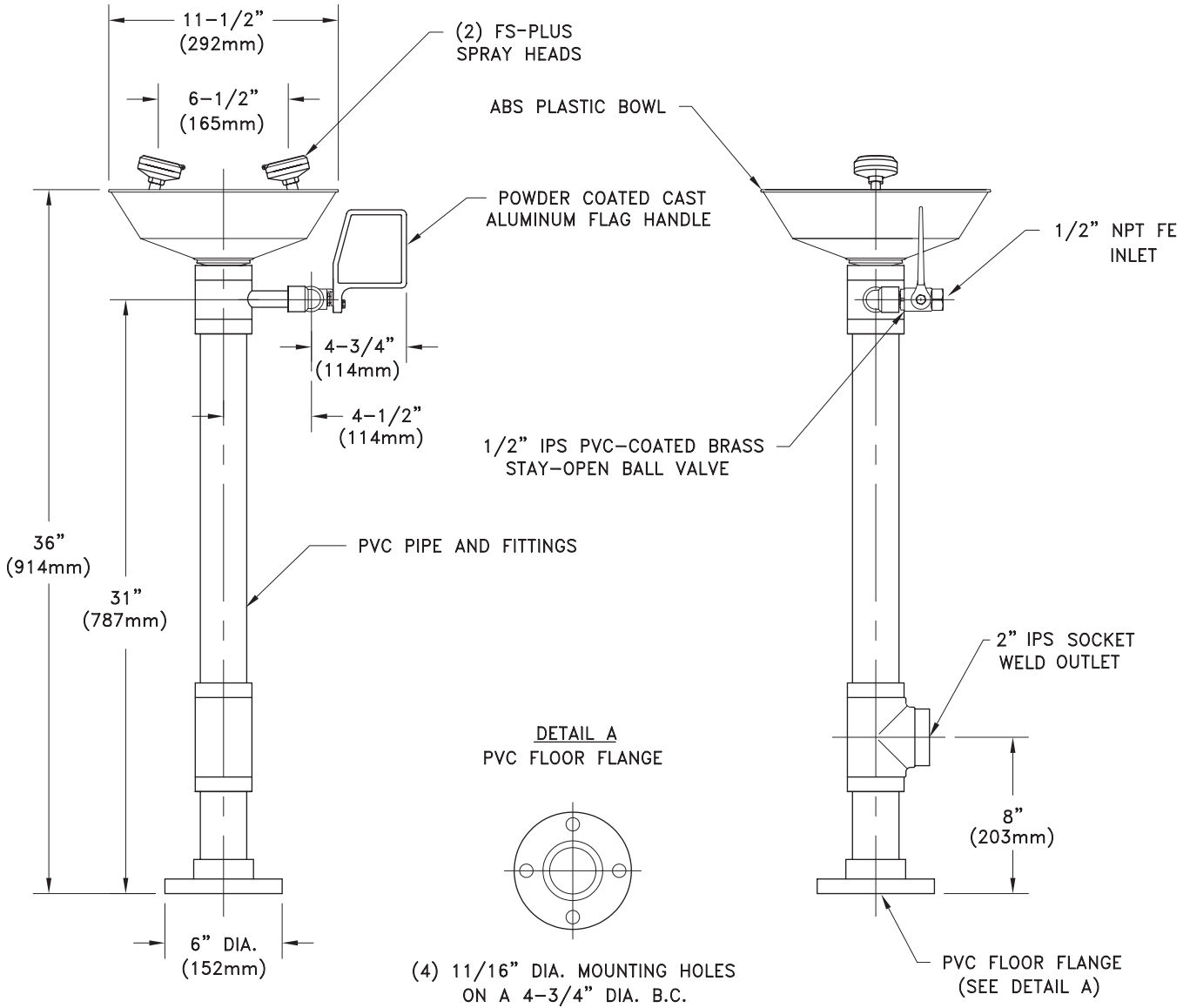
Available Options

- GRN** Green ABS plastic bowl.
- YEL** Yellow ABS plastic bowl.
- HS** Auxiliary hand-held drench hose for rinsing eyes, face or body.
- SC** Self-closing ball valve. *Note: Eye/face washes with self-closing valves do not comply with ANSI Z358.1 - 2004.*
- TMV** G3600 thermostatic mixing valve precisely blends hot and cold water to deliver warm (tepid) water as required by ANSI Z358.1-2004. Refer to “Tempering Units” section for complete technical and product selection information.





□ G1786 Eye/Face Wash, Pedestal Mounted, All-PVC Construction



NOTE:
EACH FS-PLUS SPRAY HEAD HAS A "FLIP-TOP" DUST COVER, INTERNAL FLOW CONTROL AND FILTER TO REMOVE IMPURITIES FROM THE WATER FLOW.

THIS SPACE FOR ARCHITECT/ENGINEER APPROVAL

Due to continuing product improvement, the information contained in this document is subject to change without notice. All dimensions are ± 1/4" (6mm). rev. 1009

Sign Included

