

# SPEAKMAN®

## SE-220

### LIFESAVER® EMERGENCY SHOWER

#### DESCRIPTION

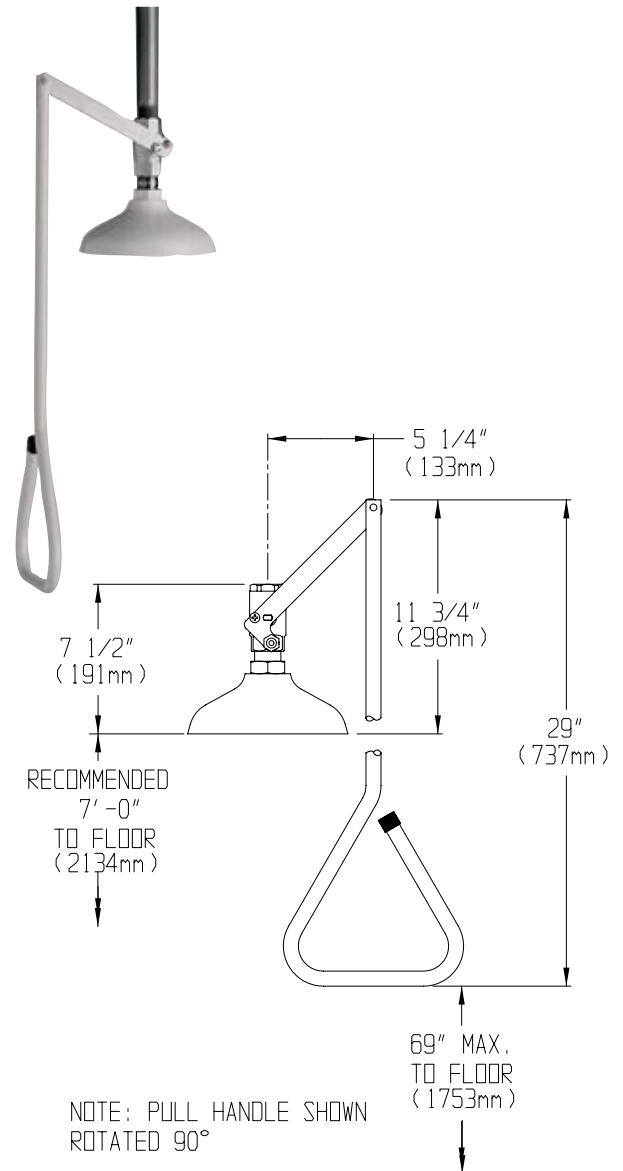
The SE-220 Lifesaver® Emergency Shower features an impeller action yellow Cicolac® shower head with a vertical overhead supply. The unit is activated with a 1" stay-open ball valve operated by a high visibility yellow pull rod.

#### SPECIFICATIONS

**Showerhead:** 8" Cicolac® yellow plastic  
**Flow Control:** Internal 20 gpm regulator  
**Valve:** 1" NPT female brass, chrome-plated, stay-open valve  
**Activator:** Powder coated yellow, aluminum triangular pull rod  
**Inlet:** 1" NPT female  
**Performance:** 20 gpm @ 20 psi  
**Compliance:** ANSI Z358.1  
**Universal Emergency Sign Included**

#### OPTIONS

- BH Brass showerhead
- FLW Flow switch
- HS Hand-held spray
- PSS Polished stainless steel finish
- SCV Self-closing valve
- SPR Stainless steel pull rod
- SSBV Stainless steel ball valve
- SSH Stainless steel showerhead
- XPR Extended aluminum pull rod



Job Name _____
Location _____
Architect/Engineer _____
Sales Representative _____
Wholesaler _____
Date _____ Model # _____