

SPEAKMAN®

SE-260

LIFESAVER® EMERGENCY SHOWER

DESCRIPTION

The SE-260 Lifesaver® freeze protected emergency shower features a floor mounted emergency deluge shower supplied with frost-proof hydrant activated by panic handle.

SPECIFICATIONS

Showerhead: 8" Cicolac® yellow plastic

Flow Control: Internal 20 gpm regulator

Frost Proof Hydrant: 1½" NPT female brass

Standard Bury Depth: 42"

Activator: ¾" diameter brass coated handle

Inlet: 1½" NPT female

Performance: 20 gpm @ 20 psi

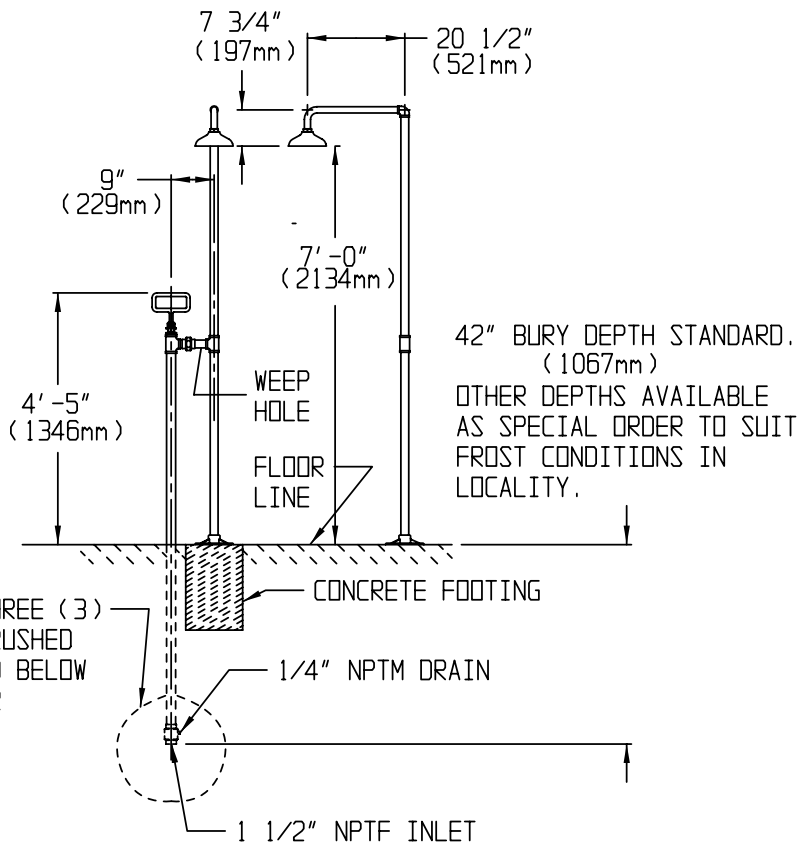
Compliance: ANSI Z358.1

Universal Emergency Sign Included

NOTE: The maximum "static" pressure allowable for this unit is 80 psi

OPTIONS

- BH Brass showerhead
- FLW Flow switch
- SSH Stainless steel showerhead



Job Name _____
Location _____
Architect/Engineer _____
Sales Representative _____
Wholesaler _____
Date _____ Model # _____