

SPEAKMAN®

SE-490

EYESAVER® EYE/FACE WASH

DESCRIPTION

The SE-490 Eyesaver® eye/face wash features a stainless steel bowl, dual spray heads with automatic flow controls and flip-top dust covers.

SPECIFICATIONS

Bowl: 300 series stainless steel

Spray Heads: (2) yellow ABS plastic spray outlets with flip-top dust caps

Valve: 1/2" NPT female brass, chrome-plated

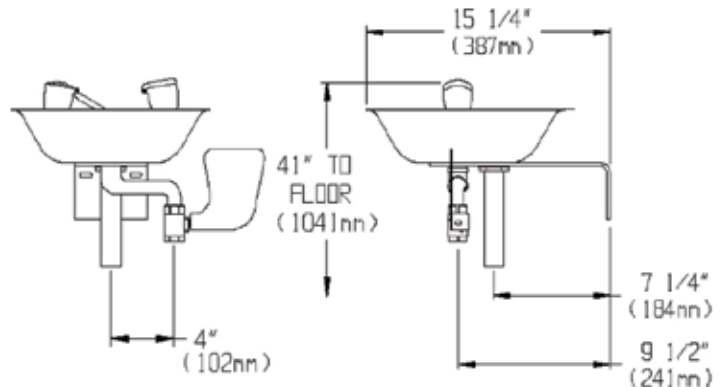
Activator: Stainless steel push handle

Inlet: 1/2" NPT female

Performance: 3.8 gpm @ 30 psi

Compliance: ANSI Z358.1

Universal Emergency Sign Included



OPTIONS

- FLW Flow switch
- FPV Freeze protection valve
- HFO Hand/Foot operation
- HS Hand-held spray
- ILS In-line strainer
- PT P-trap
- SPV Scald protection valve
- SSBV Stainless steel ball valve

Job Name _____
Location _____
Architect/Engineer _____
Sales Representative _____
Wholesaler _____
Date _____ Model # _____