

SPEAKMAN®

SE-575-DP

ADA COMPLIANT SWING ACTIVATED EYEWASH

DESCRIPTION

SE-575-DP is a recessed, wall mounted swing down eyewash with an integral drain pan. The unit features a stainless steel cabinet and activates automatically as the spray arms are pulled downwards. The extended arms provide for easy accessibility for persons with physical disabilities and a lockable access panel provides for easy serviceability from the front of the unit.

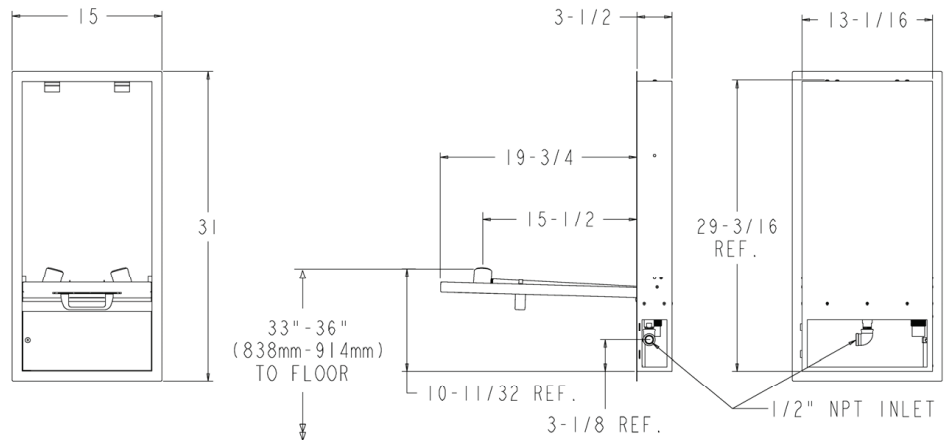


SPECIFICATIONS

- Spray Heads:** (2) Brass, chrome-plated
- Valve:** Brass, chrome-plated
- Activation:** Swing activated.
- Inlet:** 1/2" NPT female
- Cabinet:** 304 Stainless Steel with satin finish
- Door:** 304 Stainless Steel with satin finish
- Eyewash Flow:** 3.9 gpm @ 30 psi
- Compliance:** ANSI Z358.1
- Universal Emergency Sign Included**

OPTIONS

- FLW Flow switch
- ILS In-line strainer



Job Name _____
Location _____
Architect/Engineer _____
Sales Representative _____
Wholesaler _____
Date _____ Model # _____