

SPEAKMAN®

SE-580-ADA EYESAVER® EYE WASH

DESCRIPTION

The SE-580-ADA Eyesaver® wall mounted eyewash features a plastic bowl, dual aerated spray heads with automatic flow controls and flip top dust covers. Unit designed for ADA accessibility.

SPECIFICATIONS

Bowl: Yellow ABS plastic

Spray heads: (2) aerated yellow ABS plastic spray outlets with flip-top dust caps

Valve: ½" NPT female brass, chrome plated

Activator: Stainless steel push handle

Inlet: ½" NPT female

Performance: 3.6 gpm @ 30 psi

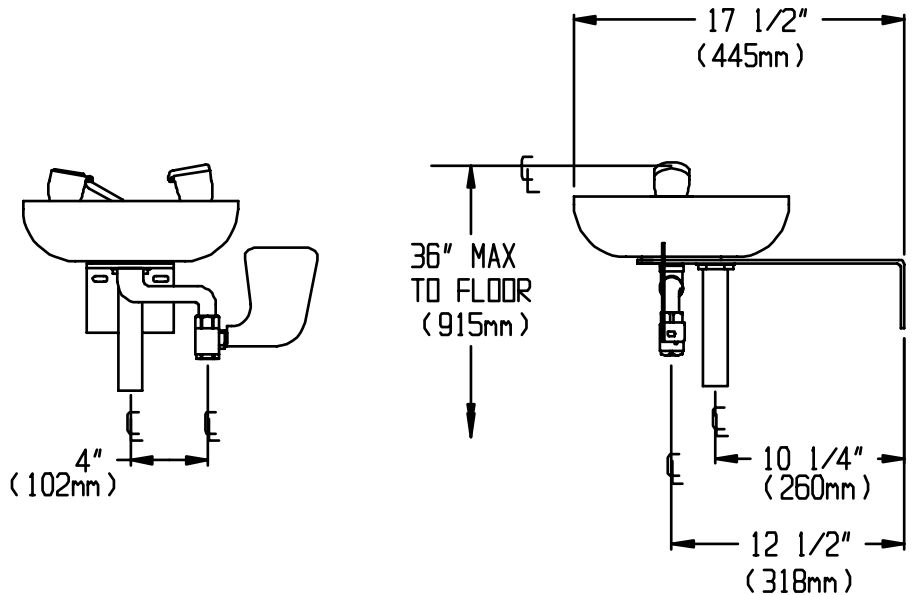
Compliance: ANSI Z358.1

Universal Emergency Sign Included



OPTIONS

- FPV Freeze protection valve
- SPV Scald protection valve
- FLW Flow switch
- HS Hand held spray
- PT P-Trap
- SSBV Stainless steel ball valve
- ILS In Line Strainer



Job Name _____
Location _____
Architect/Engineer _____
Sales Representative _____
Wholesaler _____
Date _____ Model # _____