

SPEAKMAN®

SE-616

COMBINATION SHOWER & EYE WASH

DESCRIPTION

The SE-616 Safe-T-Zone® features the SE-505 eyewash with two aerated sprays and stainless steel bowl combined on a powder coated galvanized steel stanchion with an impeller action deluge showerhead which is activated by a high visibility yellow pull rod.

SPECIFICATIONS

Showerhead: 8" diameter Cicolac® yellow plastic

Flow Control: Internal 20 gpm regulator

Valve: 1" NPT female brass, chrome plated. Full flow stay-open ball valve

Activator: Powder coated yellow, aluminum triangular pull rod

Stanchion: 1¼" IPS galvanized steel piping with brass fittings

Inlet & Waste: 1¼" NPT female

Performance: 20 gpm @ 30 psi

Finish: Dura Jade powder coated finish

EYEWASH: SE-505

Bowl: 505 series stainless steel

Spray Heads: (2) aerated yellow nylon spray outlets

Valve: ½" NPT female brass, chrome-plated.

Full flow stay-open ball valve

Activator: Stainless steel trigger bar

Shrouds: Yellow polypropylene

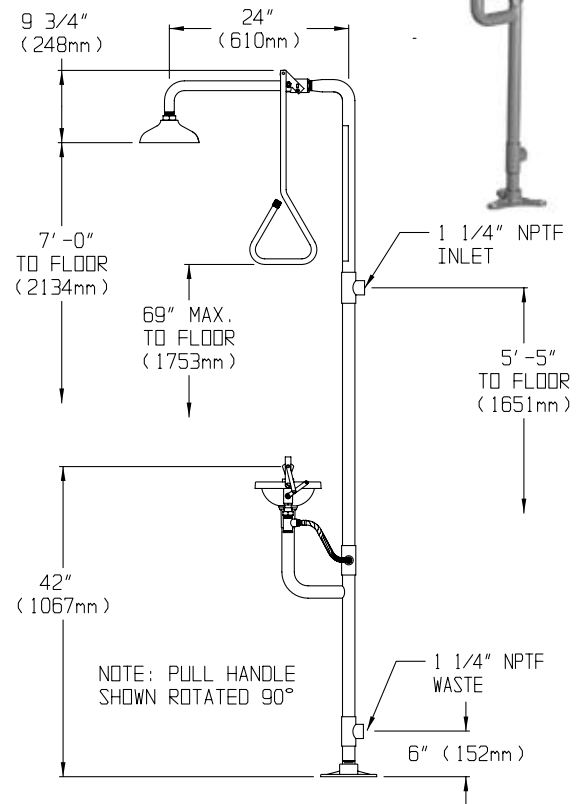
Performance: 3.0 gpm @ 30 psi

Compliance: ANSI Z358.1

Universal Emergency Sign Included

OPTIONS

- | | |
|-------------------------------|--------------------------------|
| <input type="checkbox"/> HFO | Hand foot operation |
| <input type="checkbox"/> FPV | Freeze protection valve |
| <input type="checkbox"/> SPV | Scal protection valve |
| <input type="checkbox"/> FLW | Flow switch |
| <input type="checkbox"/> HS | Hand held spray |
| <input type="checkbox"/> TS | Top supply |
| <input type="checkbox"/> SSH | Stainless steel showerhead |
| <input type="checkbox"/> SPR | Stainless steel pull rod |
| <input type="checkbox"/> SSBV | Stainless steel ball valves |
| <input type="checkbox"/> BH | Chrome plated brass showerhead |



Job Name _____
Location _____
Architect/Engineer _____
Sales Representative _____
Wholesaler _____
Date _____ Model # _____