

SPEAKMAN®

SE-625-SS

COMBINATION SHOWER & EYE/FACE WASH

DESCRIPTION

The SE-625-SS Safe-T-Zone® features the SE-490-SS eye/face wash with dual spray outlets, flip-top dust covers and all stainless steel bowl combined on an all stainless steel stanchion with an impeller action deluge showerhead which is activated by a stainless steel pull rod.

SPECIFICATIONS

Showerhead: 8" diameter stainless steel

Flow Control: Internal 20 gpm regulator

Valve: 1" NPT female stainless steel.

Full flow stay open ball valve

Activator: Stainless steel triangular pull rod

Stanchion: 1½" Stainless steel, 18 gauge tubing.

Inlet & Waste: 1¼" NPT male

Finish: Stainless steel

Performance: 20 gpm @ 30 psi

EYE/FACE WASH: SE-490-SS

Bowl: 300 series stainless steel

Spray Heads: (2) stainless steel with plastic dust covers

Valve: ½" NPT stainless steel full flow stay open ball valve

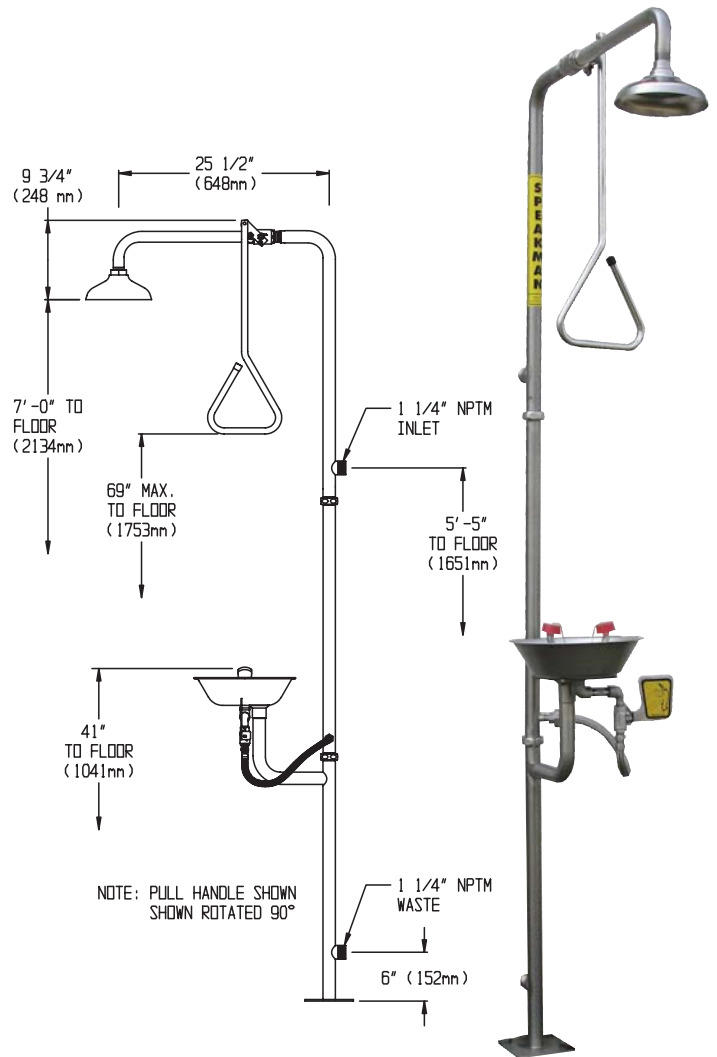
Activator: Stainless steel push handle

Inlet: ½" NPT female

Performance: 3.8 gpm @ 30 psi

Compliance: ANSI Z358.1

Universal Emergency Sign Included



OPTIONS

- HFO Hand/Foot operation
- FPV Freeze protection valve
- SPV Scald protection valve
- FLW Flow switch
- HS Hand-held spray
- TS Top supply

Job Name _____	
Location _____	
Architect/Engineer _____	
Sales Representative _____	
Wholesaler _____	
Date _____	Model # _____