

# SPEAKMAN®

## SEF-1800

### EYESAVER® FAUCET SPECIFICATIONS

#### DESCRIPTION

The SEF-1800 Eyesaver® faucet combines a gooseneck faucet with an independently operated eyewash. The faucet features ¼ turn Speakman ceramic valves while the eyewash offers twin aerated sprays and flip-top dust covers.

#### SPECIFICATIONS

##### EYEWASH

**Activator:** Pull handle with graphics

**Spray heads:** (2) aerated yellow ABS plastic spray outlets with flip-top dust caps

**Performance:** 2.6 gpm @ 30 psi

**Compliance:** ANSI Z358.1

##### FAUCET

**Supply:** ½" male connections for hot and cold inlets

**Widespread Valves:** ¼ turn ceramic cartridges covered by a 25-year warranty

**Center Distance:** Adjustable center of 6" to 12"

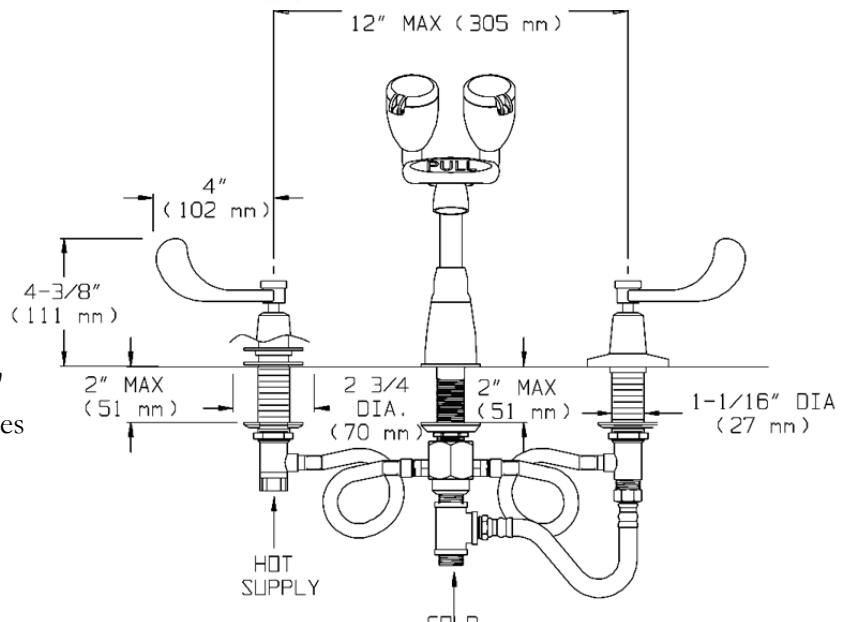
**Activator:** Vandal resistant 4" wrist blades handles with color-coded indexes or single handle lever

**Performance:** 2.2 gpm

**Counter thickness:** Up to 2" thick

**Compliance:** ASME A112.18.1, CSA B125-98

**Universal Emergency Sign Included**



#### OPTIONS

- BO Vandal resistant 0.5 gpm flow control
- D75 Cross handles
- FP Foot pedal activation
- LF Laminar flow outlet 2.2 gpm
- ST Serrated tip with vacuum breaker
- TW Addition of SE-370 thermostatic mixing valve
- 6WH 6" wrist handles
- 8 8" gooseneck spout
- SL Single lever valves replaced with single lever
- NA No aerated eyewash

Job Name _____
Location _____
Architect/Engineer _____
Sales Representative _____
Wholesaler _____
Date _____ Model # _____