

SPEAKMAN®

SEF-TW THERMOSTATIC MIXING VALVE

DESCRIPTION

The SEF-TW is a thermostatic mixing valve kit for supplying tepid water to the Speakman SEF line of eyewash faucets. The thermostatic mixing valve attaches directly to the SEF eyewash faucet, no additional plumbing required.

SPECIFICATIONS

THERMOSTATIC MIXING VALVE: Speakman SE-370

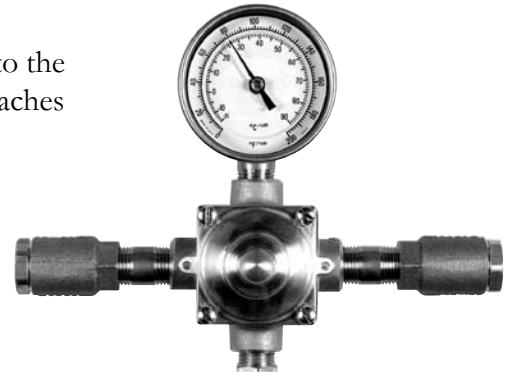
FINISH: Rough brass (mixing valve)

PRESSURE REQUIREMENT: SEF-9000/9200 - 40 psi, flowing at the service sink fitting inlets (with the service sink fitting at full flow).
SEF-1800 - 30 psi flowing with the faucet at full flow.

EYEWASH FLOW RATE:

SEF-9000/9200	-2.2 GPM at 40 psi flowing
SEF-1800	-2.5 GPM at 35 psi flowing
SEF-18XY	-2.5 GPM at 35 psi flowing

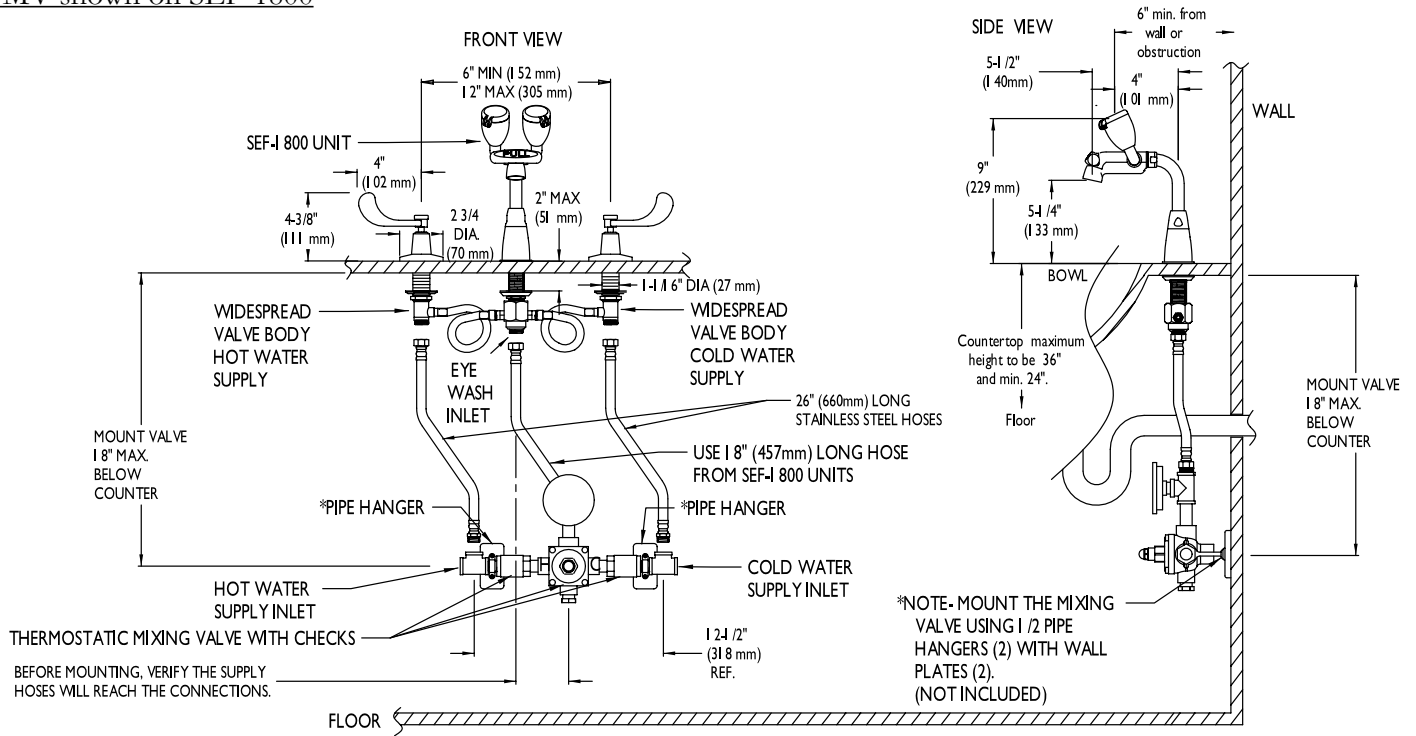
SHIPPING WEIGHT: 11.2 LBS.



see reverse for rough-ins

Job Name _____
Location _____
Architect/Engineer _____
Sales Representative _____
Wholesaler _____
Date _____ Model # _____

TMV shown on SEF-1800



TMV shown on SEF-9000

