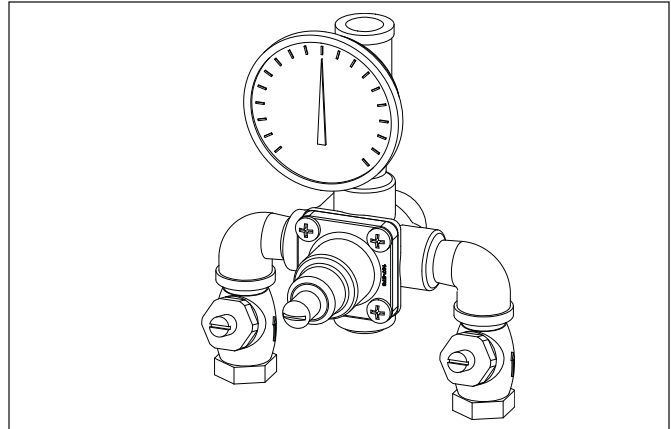


- Meets ANSI Z358.1-2004
- Reliable liquid-filled thermostat with 10 year warranty
- EFX8 Thermostatic Mixing Valve
- Checkstops on inlets
- Adjustable set point within temperature range
- Accurate temperature control to within $\pm 3^{\circ}$ F
- Built-in cold water bypass, assuring cold flow
- Positive shutoff of hot supply when cold supply is lost
- Easy installation and serviceability
- Dirt and lime resistant
- Dual thermometer
- Factory assembled and tested
- Universal mounting capability
- Cabinet Features
 - 18 gauge body & door
 - Left hand hinge
 - Cylinder Lock
 - Inlet/outlet knock out holes for mounting flexibility
 - Stainless steel or baked white enamel finishes
 - Surface mounted or recessed style with flange



Optional Selections

Finish

- C Chrome Plated

Cabinets

- SS Surface Mount Stainless Steel
 RS Recessed Stainless Steel
 SE Surface Mount White Enamel
 RE Recessed White Enamel
 W Plexi-glass Window in Door

Valve Specifications

Maximum Operating Pressure

125 PSI (860 kPA)

Maximum Inlet Temperature

180° F (82° C)

Recommended Inlet Temperature

120° F (49° C) – 140° F (60° C)

Temperature Range

Std. 65° F (18° C) to 95° F (35° C)

Set Point

85° F (29° C)

Flow Capacities – GPM (L/Min)

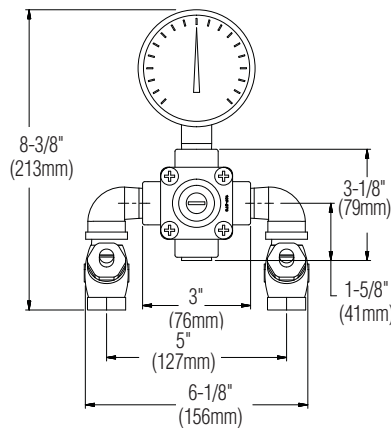
| Model | Min. Flow | Pressure Drop – PSI (Bar) | | | | | | |
|-------------------------|--------------|---------------------------|---------------|---------------|---------------|---------------|---------------|----------------|
| | | 5 (.5) | 10 (1.0) | 15 (1.5) | 20 (2.0) | 30 (2.5) | 45 (3.0) | 60 (4.0) |
| S19-2000 | 1.5 (5.5) | 3.4 (15.0) | 4.5 (20.0) | 5.6 (26.0) | 6.5 (30.0) | 7.8 (34.0) | 9.4 (37.0) | 11.6 (42.0) |
| Cold Bypass Only | | 2.6 (10.5) | 3.2 (14.5) | 4.0 (18.0) | 4.6 (21.0) | 5.6 (23.5) | 6.8 (28.5) | 7.7 (29.5) |

Sample Specification

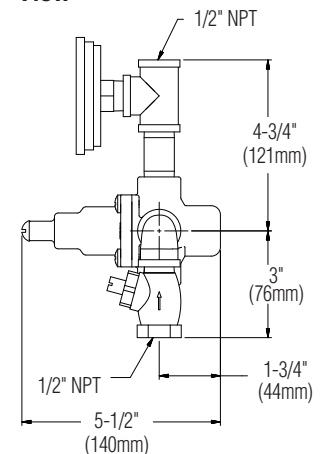
Emergency fixture water mixing valve shall consist of liquid-filled thermal motor and a piston control mechanism with positive shutoff of hot water when cold water supply is lost to prevent scalding. In addition, the valve shall allow cold flow in the event of loss or interruption of the hot water supply or thermostat failure. The valve shall control outlet temperature and will be suitable for eyewash or eye/face wash applications. Temperature adjustment will be vandal resistant.

Dimensions

Front View



Side View

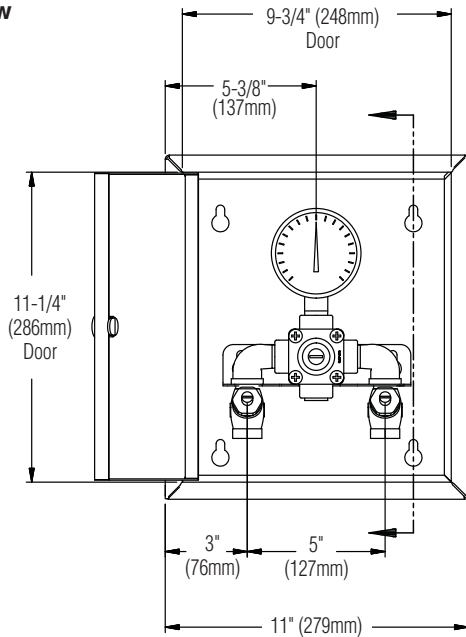


Engineer's Approval _____

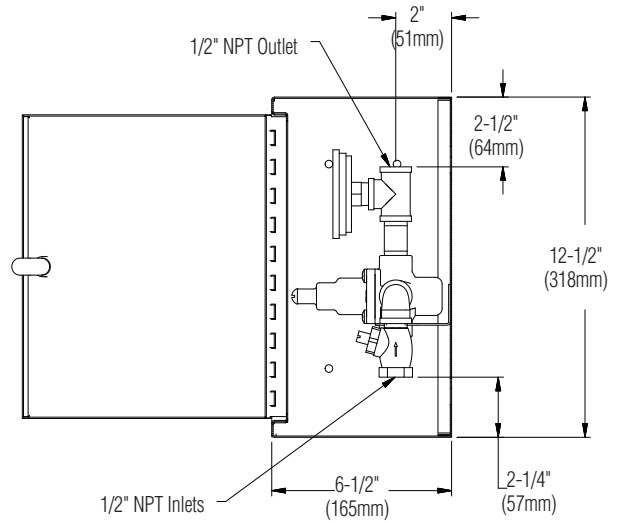
Consult local and national codes: conformity and compliance to local and national codes is the responsibility of the installer.

Dimensions — S19-2000 Surface Mounted

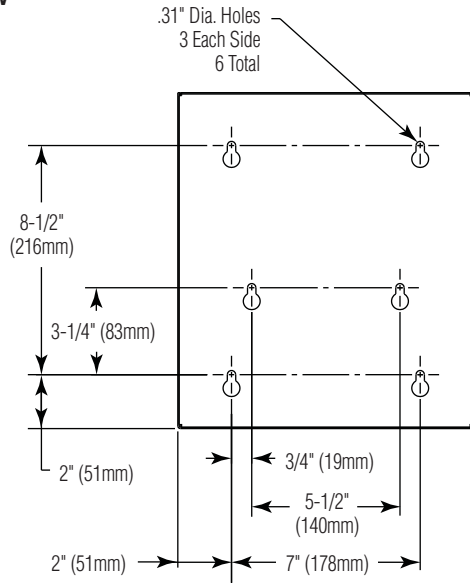
Front View



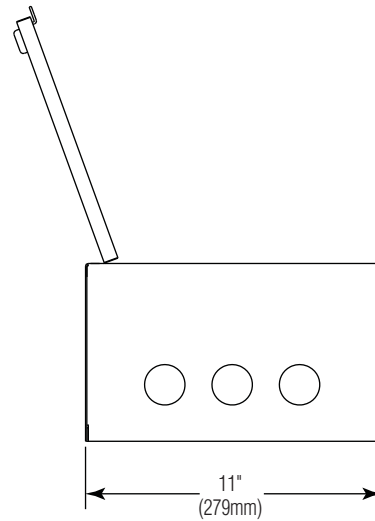
Side View



Back View



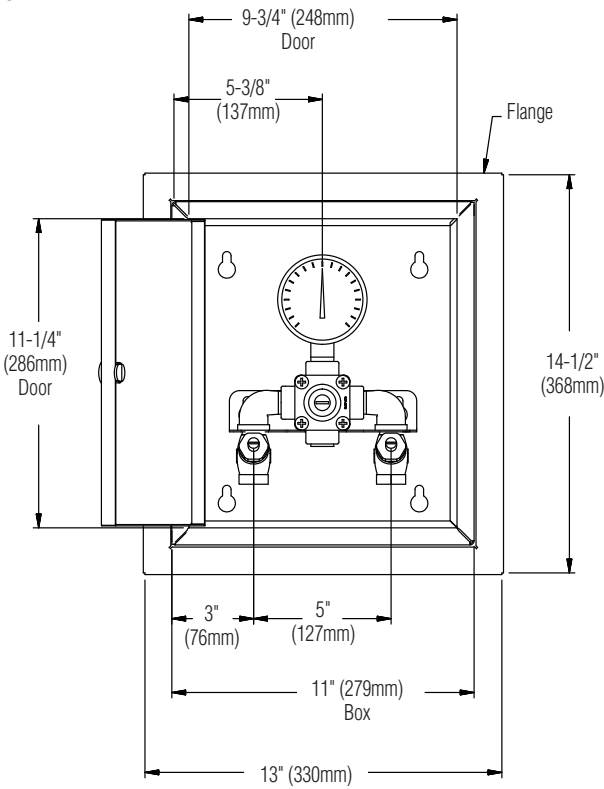
Bottom View



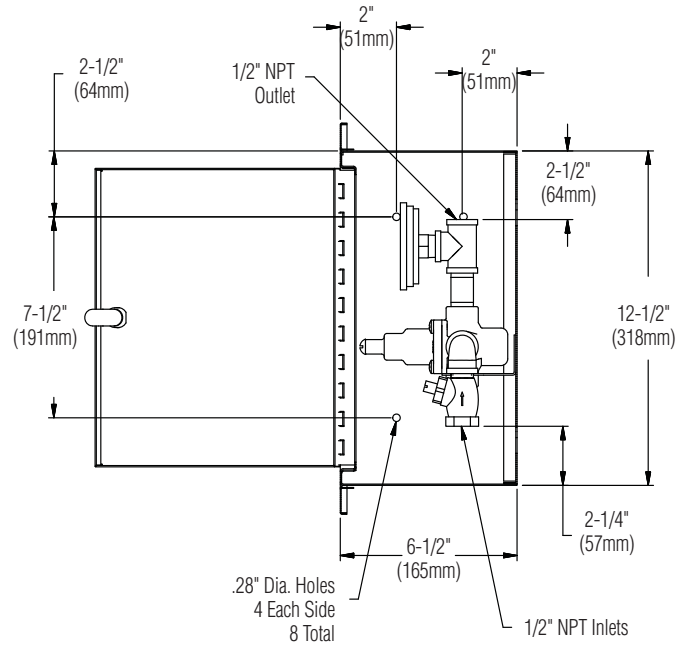
Consult local and national codes: conformity and compliance to local and national codes is the responsibility of the installer.

Dimensions — S19-2000 Recessed

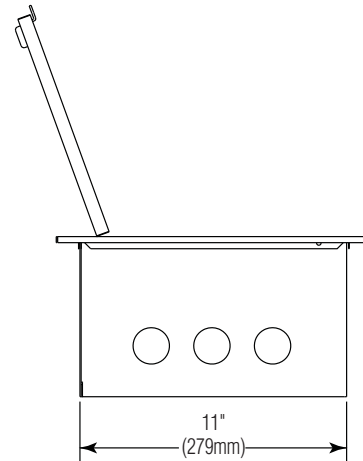
Front View



Side View



Bottom View



Consult local and national codes: conformity and compliance to local and national codes is the responsibility of the installer.