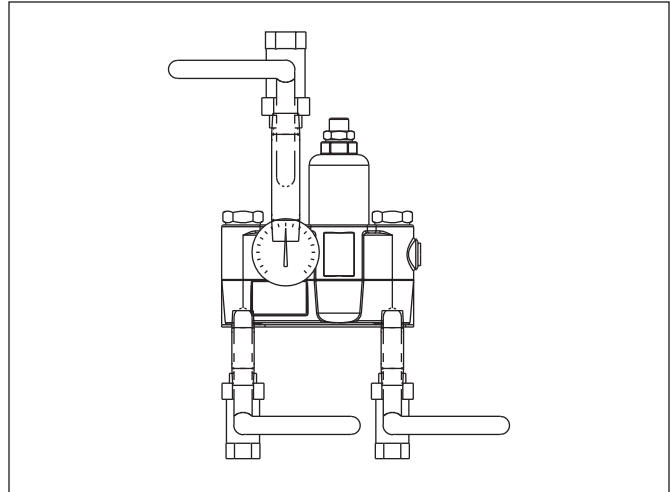


- Meets ANSI Z358.1-2004
- Reliable liquid-filled thermostat with 10 year warranty
- Integral strainer checkstops on inlets
- Adjustable set point within temperature range
- Accurate temperature control to within $\pm 3^\circ$ F
- Built-in cold water bypass, assuring cold flow
- Positive shutoff of hot supply when cold supply is lost
- Easy installation and serviceability
- Dirt and lime resistant
- Dial thermometer
- Factory assembled and tested
- Universal mounting capability
- Cabinet Features
 - 18 gauge body & door
 - Left hand hinge
 - Cylinder Lock
 - Inlet/outlet knock out holes for mounting flexibility
 - Stainless steel or baked white enamel finishes
 - Surface mounted or recessed style



Valve Specifications

Maximum Operating Pressure

125 PSI (860 kPa)

Maximum Inlet Temperature

180° F (82° C)

Recommended Inlet Temperature

120° F (49° C) – 140° F (60° C)

Temperature Range

Std. 65° F (18° C) to 95° F (35° C)

Set Point

85° F (29° C)

Flow Capacities – GPM (L/Min)

Model	Min. Flow	Pressure Drop – PSI (Bar)						
		5 (.5)	10 (1.0)	15 (1.5)	20 (2.0)	30 (2.5)	45 (3.0)	60 (4.0)
S19-2100	2.0 (5.5)	14.0 (63.0)	20.0 (92.0)	24.5 (115.0)	29.0 (135.0)	36.0 (150.0)	44.0 (163.0)	50.0 (186.0)
Cold Bypass Only		8.0 (36.0)	11.5 (52.0)	14.0 (63.0)	16.5 (74.0)	20.0 (83.0)	24.5 (91.0)	28.0 (103.0)
S19-2200	2.0 (7.5)	23.0 (110.0)	36.0 (170.0)	46.0 (215.0)	54.0 (250.0)	67.0 (280.0)	83.0 (310.0)	95.0 (355.0)
Cold Bypass Only		15.0 (69.0)	22.0 (107.0)	29.0 (135.0)	34.0 (160.0)	43.0 (180.0)	52.0 (193.0)	60.0 (222.0)

Models (Must select one)

- | Model | Description |
|--|---------------------------------|
| <input type="checkbox"/> S19-2100 | EFX25-Thermostatic Mixing Valve |
| <input type="checkbox"/> S19-2200 | EFX60-Thermostatic Mixing Valve |

Optional Selections

- | | |
|------------------------------------|--|
| Finish | |
| <input type="checkbox"/> C | Chrome Plated |
| Piped Assembly | |
| <input type="checkbox"/> P | Piped Assembly with Inlet and Outlet Shutoff |
| <input type="checkbox"/> N | Piped Assembly only |
| Cabinets | |
| <input type="checkbox"/> SS | Surface Mount Stainless Steel |
| <input type="checkbox"/> RS | Recessed Stainless Steel |
| <input type="checkbox"/> SE | Surface Mount White Enamel |
| <input type="checkbox"/> RE | Recessed White Enamel |
| <input type="checkbox"/> W | Plexi-glass Window in Door |

Sample Specification

Emergency fixture water mixing valve shall consist of liquid-filled thermal motor and a piston control mechanism with positive shutoff of hot water when cold water supply is lost to prevent scalding. In addition, the valve shall allow cold flow in the event of loss or interruption of the hot water supply or thermostat failure. The valve shall control outlet temperature over a wide flow range and will be suitable for drench shower and/or eyewash applications. Temperature adjustment will be vandal resistant.

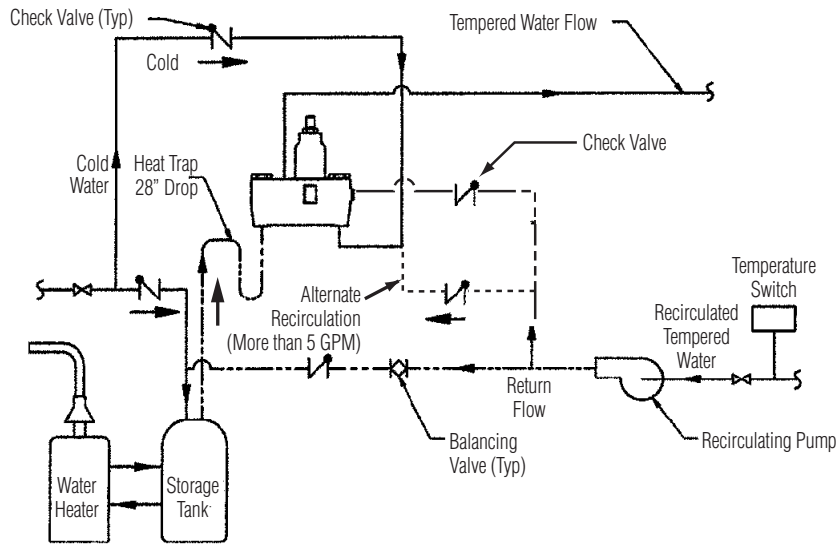
Engineer's Approval _____

Consult local and national codes: conformity and compliance to local and national codes is the responsibility of the installer.

Plumbing Fixtures Document No. 5900	Page 1 of 4 This information is subject to change without formal notice. 10/10/2007
--	---

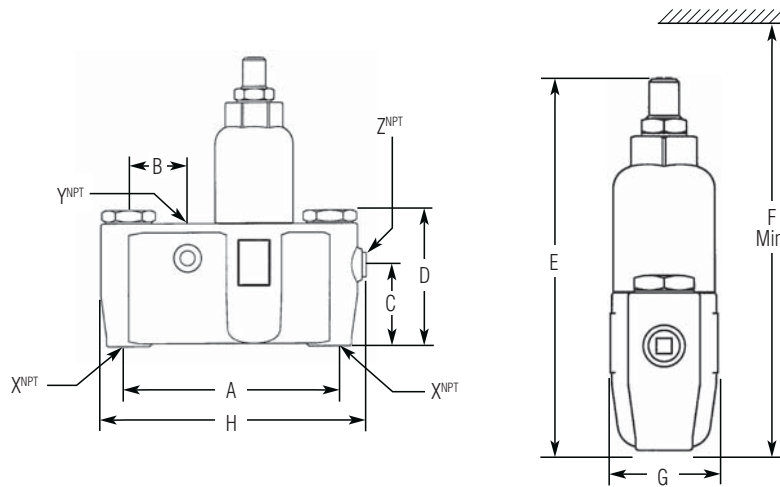
© 2007 Bradley Corporation
P.O. Box 309, Menomonee Falls, WI 53052-0309
Phone: 1-800-BRADLEY Fax: 262-253-4161
www.bradleycorp.com

Recirculation Diagram



Dimensions – Inches (mm)

Model	A	B	C	D	E	F	G	H	X ^{NPT}	Y ^{NPT}	Z ^{NPT}
S19-2100	7 (178)	2 (51)	3-1/4 (84)	4-3/4 (119)	8 (203)	14 (356)	3-1/8 (79)	9-1/4 (234)	3/4	1	3/4
S19-2200	8-3/4 (224)	2-1/2 (64)	3-1/2 (89)	5-1/4 (135)	12-1/4 (312)	19 (483)	3-5/8 (91)	11-3/8 (290)	1	1-1/4	3/4

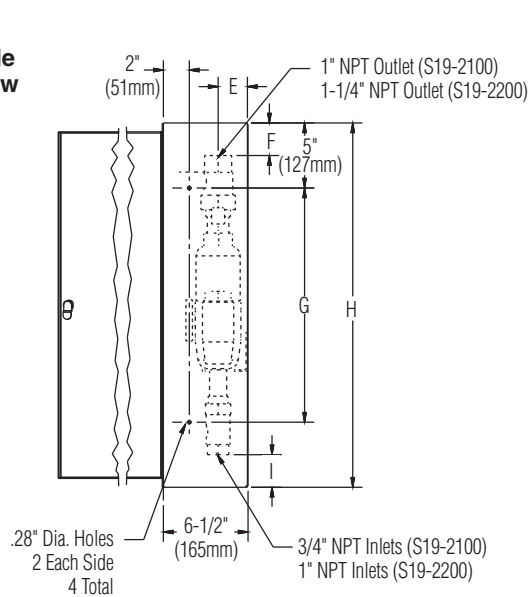


Consult local and national codes: conformity and compliance to local and national codes is the responsibility of the installer.

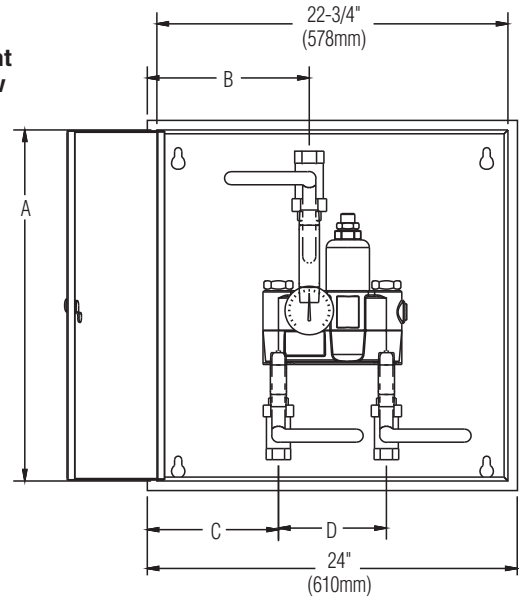
Dimensions — Surface Mounted Inches (mm)

Model	A	B	C	D	E	F	G	H	I	J	K	L	M
S19-2100	22-3/4 (578)	10-1/2 (267)	8-1/2 (216)	7 (178)	2 (51)	2 (51)	14 (356)	24 (610)	2 (51)	6-1/4 (159)	7-1/2 (191)	20 (508)	8-7/16 (214)
S19-2200	26-3/4 (679)	10-3/16 (259)	7-5/8 (194)	8-3/4 (222)	2-1/4 (57)	2-1/2 (64)	18 (457)	28 (711)	2-1/2 (64)	5-1/8 (130)	9-3/4 (248)	24 (610)	9-3/16 (233)

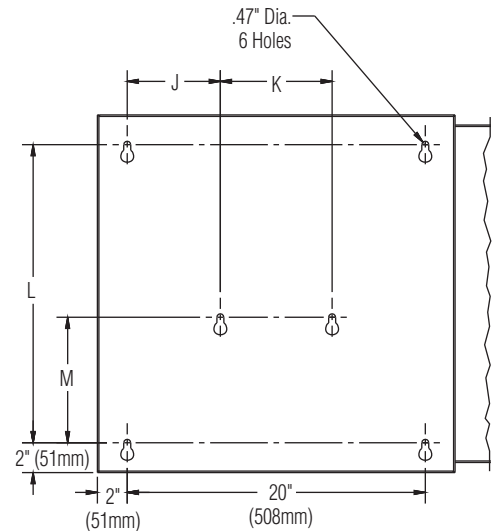
Side View



Front View



Back View

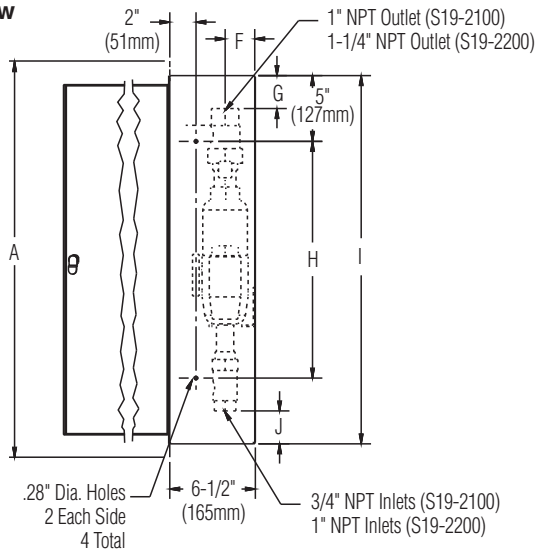


Consult local and national codes: conformity and compliance to local and national codes is the responsibility of the installer.

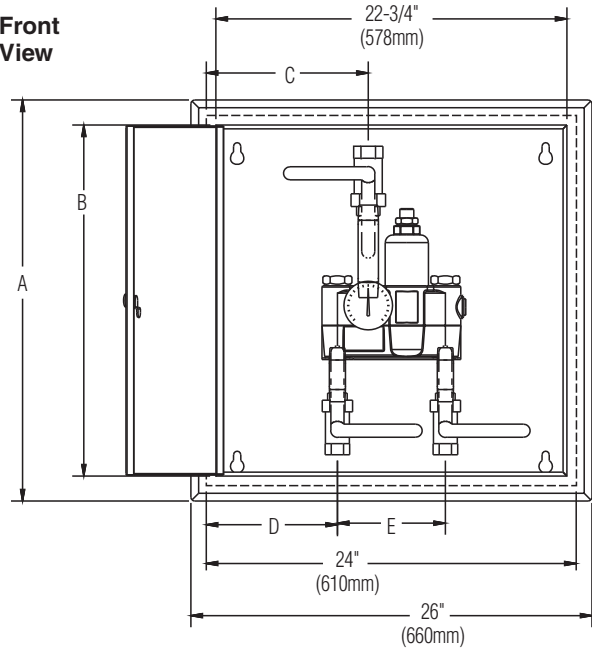
Dimensions — Recessed Inches (mm)

Model	A	B	C	D	E	F	G	H	I	J
S19-2100	26 (660)	22-3/4 (578)	10-1/2 (267)	8-1/2 (216)	7 (178)	2 (51)	2 (51)	14 (356)	24 (610)	2 (51)
S19-2200	30 (762)	26-3/4 (679)	10-3/16 (259)	7-5/8 (194)	8-3/4 (222)	2-1/4 (57)	2-1/2 (64)	18 (457)	28 (711)	2-1/2 (64)

Side View



Front View



Consult local and national codes: conformity and compliance to local and national codes is the responsibility of the installer.