

Guardian

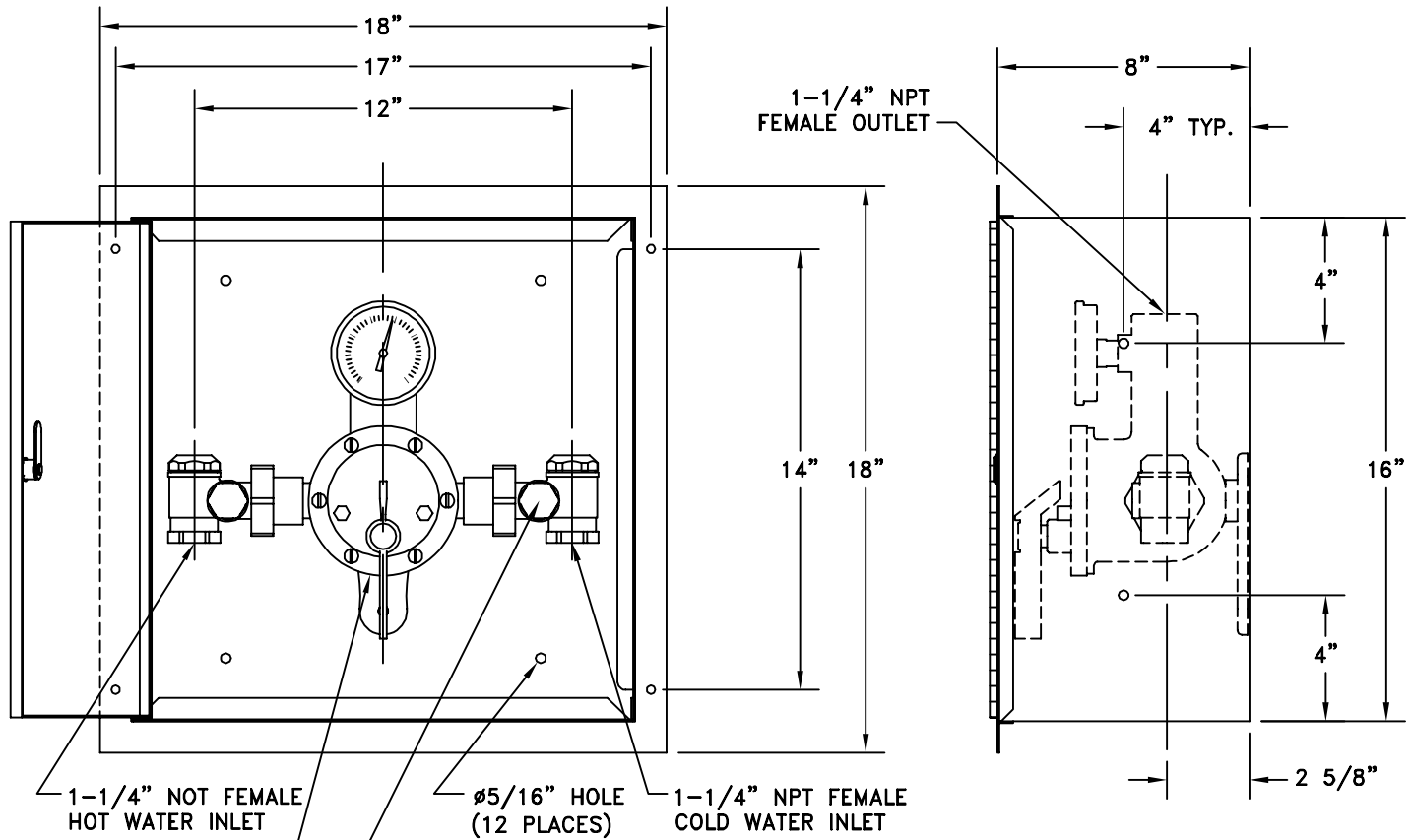
EMERGENCY EYEWASH & SHOWER TECHNOLOGY

Guardian Equipment
1140 N North Branch St
Chicago, IL 60642

312 447 8100 TELEPHONE
312 447 8101 FACSIMILE
gesafety.com

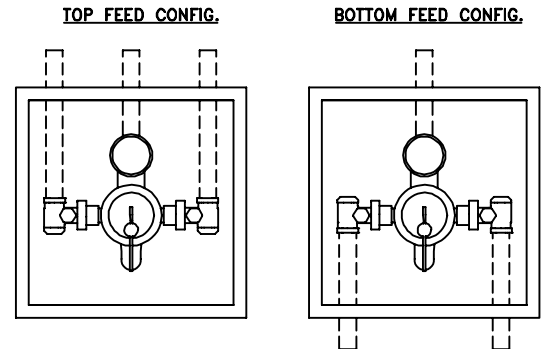
G3907

THERMOSTATIC MIXING VALVE FOR MULTIPLE EMERGENCY SHOWERS, HOUSED IN RECESS MOUNTED STAINLESS STEEL CABINET



INTEGRAL CHECK VALVE AND UNION CONNECTION ROTATE 360° FOR TOP OR BOTTOM INSTALLATION

- THERMOSTATIC MIXING VALVE
- * LOCKING TYPE TEMPERATURE REGULATOR TO PREVENT ACCIDENTAL MOVEMENT.
 - * BUILT-IN COLD WATER BYPASS.
 - * ADJUSTABLE HIGH TEMPERATURE LIMIT



NOTE:
ENCLOSURE IS 16 GAUGE BRUSHED STAINLESS STEEL CABINET WITH HINGED DOOR AND KEYED LOCK.

WARNING
IT IS THE RESPONSIBILITY OF THE SPECIFIER TO DETERMINE THE DELIVERED WATER TEMPERATURE TO EACH SAFETY FIXTURE. A COMFORTABLE RANGE IS 60°F TO 90°F (15°C TO 32°C). IN CIRCUMSTANCES WHERE A CHEMICAL REACTION IS ACCELERATED BY WATER TEMPERATURE, A MEDICAL ADVISOR SHOULD BE CONSULTED FOR THE OPTIMUM TEMPERATURE FOR EACH APPLICATION.

NOTE:
A LIMIT STOP, SET FOR 90°F (32°C), IS SIMPLY A MECHANICAL SETTING TO PREVENT EXCESSIVE HANDLE ROTATION. IF INCOMING WATER IS HOTTER THAN 150°F (66°C), THE TEMPERATURE OF THE FACTORY TEST, THE VALVE WHEN TURNED TO FULL HOT MAY DELIVER WATER IN EXCESS OF 90°F (32°C) AND THE LIMIT STOP MUST BE RESET BY THE INSTALLER!

FLOW CAPACITIES	MINIMUM FLOW (GPM)	INTERNAL COLD WATER BY-PASS MINIMUM	SYSTEM PRESSURE DROP								PSI	
			5	10	15	20	25	30	35	40		45
	L\MIN		.3	.7	1.0	1.4	1.7	2.1	2.4	2.8	3.1	BAR
	3	40	53	64	72	81	90	99	108	117	126	GPM
	11	151	201	242	273	307	341	374	409	443	477	L\MIN

UNITS (EXCEPT THOSE WITH SELF-CLOSING VALVES) COMPLY WITH THE REQUIREMENTS OF ANSI Z358.1.

TEST ALL EMERGENCY EQUIPMENT AT LEAST WEEKLY.

Drawing Number: G608-073

Approved: _____

Revision Number: 111406-EJM