

Guardian

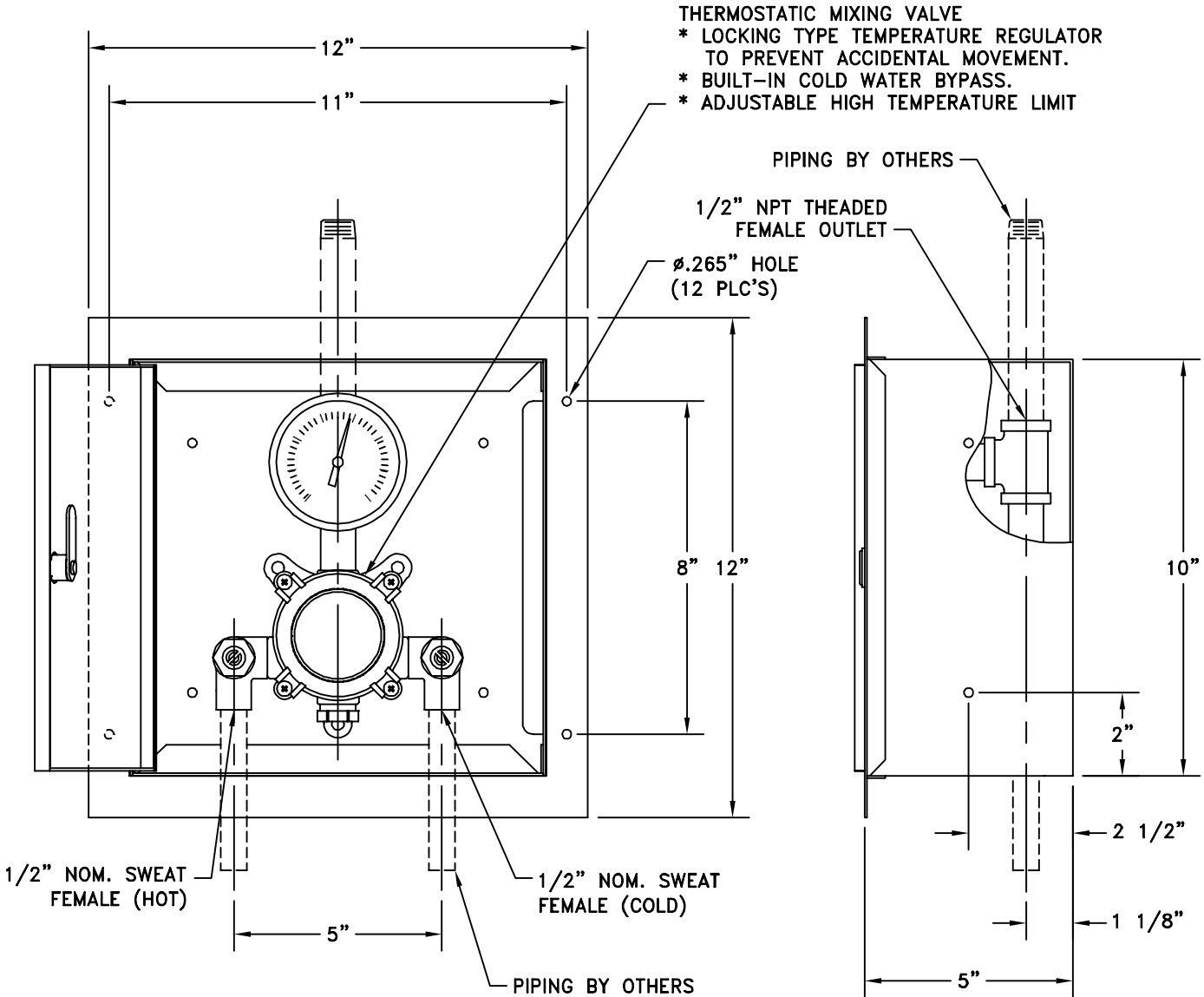
EMERGENCY EYEWASH & SHOWER TECHNOLOGY

Guardian Equipment
1140 N North Branch St
Chicago, IL 60642

312 447 8100 TELEPHONE
312 447 8101 FACSIMILE
gesafety.com

G3607

THERMOSTATIC MIXING VALVE FOR EYE WASH, HOUSED IN RECESS MOUNTED STAINLESS STEEL CABINET



NOTE:
ENCLOSURE IS 16 GAUGE BRUSHED STAINLESS
STEEL CABINET WITH HINGED DOOR AND KEYED LOCK.

WARNING
IT IS THE RESPONSIBILITY OF THE SPECIFIER TO DETERMINE THE DELIVERED WATER
TEMPERATURE TO EACH SAFETY FIXTURE. A COMFORTABLE RANGE IS 60°F TO 90°F
(15°C TO 32°C). IN CIRCUMSTANCES WHERE A CHEMICAL REACTION IS ACCELERATED
BY WATER TEMPERATURE, A MEDICAL ADVISOR SHOULD BE CONSULTED FOR THE
OPTIMUM TEMPERATURE FOR EACH APPLICATION.

FLOW CAPACITIES	MINIMUM FLOW (GPM)	INTERNAL COLD WATER BY-PASS MINIMUM	SYSTEM PRESSURE DROP								PSI	
			5	10	15	20	25	30	35	40		45
	L\MIN		.3	.7	1.0	1.4	1.7	2.1	2.4	2.8	3.1	
	.5	4	2.5	4	5	6	7	8	8.5	9.5	10	GPM
	1.9	15	9.5	15	19	23	27	30	32	36	38	L\MIN

NOTE:
A LIMIT STOP, SET FOR 90°F (32°C), IS SIMPLY A MECHANICAL SETTING TO PREVENT
EXCESSIVE HANDLE ROTATION. IF INCOMING WATER IS HOTTER THAN 150°F (66°C),
THE TEMPERATURE OF THE FACTORY TEST, THE VALVE WHEN TURNED TO FULL HOT
MAY DELIVER WATER IN EXCESS OF 90°F (32°C) AND THE LIMIT STOP MUST BE
RESET BY THE INSTALLER!

UNITS (EXCEPT THOSE WITH SELF-CLOSING VALVES) COMPLY WITH THE REQUIREMENTS OF ANSI Z358.1. TEST ALL EMERGENCY EQUIPMENT AT LEAST WEEKLY.

Drawing Number: G608-070

Approved: _____

Revision Number: 022108-EJM