



MODELS: HTHB-8 HTHB-LR

* Rated for Indoor Use Only

**PRELIMINARY – SUBJECT TO CHANGE
November 2009**



These water coolers are certified to NSF/ANSI 61.

GENERAL

In-wall, recessed design for stand-alone applications or paired with Halsey Taylor Contour™ and OVL™ fountains to create the ultimate high end water station. When properly installed, unit meets reach range guidelines as defined by the Americans with Disabilities Act.

BOTTLE FILLING

Quick fill rate at 1.5 gallons per minute. Laminar flow provides a clean fill with minimal splash and easy maintenance.

SENSOR ACTIVATED

User interface design makes touchless operation intuitive. Equipped with automatic 30-second shut-off timer.

SILVER ION ANTI-MICROBIAL PROTECTION

Key plastic components are integrated with silver ion anti-microbial protection to inhibit growth of mold and mildew.

LEAD REDUCTION FILTER WITH FILTER LIFE INDICATOR

Equipped with the HWF3000 WaterSentry® Plus Filter which is designed to remove lead particles and chlorine. Also reduces odors and discoloration from incoming water. Features include Quick-Disconnect, 1/4 turn installation. Automatic inlet shut-off valve that closes when filter is removed. High-grade filter is made with activated carbon and patented ATS lead-removal media.

Green, yellow, and red LEDs visually indicate when filter maintenance is required. For service replacement, order as: 55898C - Single filter 55898C_3PK - Filter three-pack.

GREEN TICKER

Visually displays count of 16 ounce plastic bottles saved from landfills.

MOUNTING FRAME

Mounting frame is manufactured of corrosion resistant, galvanized steel, open construction designed for ease of installation. Mounting frame can be shipped in advance for rough-in installation.

PANEL SYSTEM

Designed with hinged top and bottom stainless steel panels for easy access and service. Refrigerated model includes louvered panel. Non-refrigerated models includes solid panel.

REFRIGERATION SYSTEM (Model HTHB-8)

Hermetically sealed, positive start compressor with lifetime lubrication and built-in overload protection, efficient capillary sizing, large capacity dryer-strainer, and self-lubricated fan cools copper/aluminum condenser. System uses R134A refrigerant. Protected by Halsey Taylor's Limited 5 Year Warranty.

SUGGESTED SPECIFICATIONS

Model HTHB-8 provides 8.0 gph of 50° F water at 90° F ambient and 80° F inlet water. Model HTHB-LR is non-refrigerated and provides ambient water. Shall be recessed design and constructed of 18 gauge Type 300 series stainless steel and ABS plastic. Shall include electronic sensor for no-touch activation with automatic 30-second shut-off timer. Shall provide 1.5 gpm flow rate with laminar flow to minimize splashing. Shall include antimicrobial protected plastic components to prevent mold and mildew. Shall include the WaterSentry® Plus filter, certified to NSF/ANSI 42 and 53 for lead, with visual monitor to indicate when replacement is necessary. Shall meet ADA guidelines for reach ranges, when properly installed. Shall be lead-free design which meets Safe Drinking Water Act and is certified to NSF/ANSI 61 and California AB1953. Shall be listed by Underwriters Laboratories to both U.S. and Canadian requirements.

NOTE: Continued product improvement makes specifications subject to change without notice. See Halsey Taylor website for most current spec sheet.



HTHB-8

HTHB-LR

Stainless Steel Finish Only

Consists of multiple cartons as follows:

- HYDROBOOST Station with Panels
- Mounting Frame
- HWF3000 WaterSentry® Plus Filter
- Cooling unit - SJ8-Q (Model HTHB-8 only)

JOB NAME: _____

ENGINEER/CONTRACTOR NAME: _____

APPROVAL: _____

DATE: _____



UL TESTING
IN PROCESS

MODELS HTHB-8 & HTHB-LR

PRELIMINARY - SUBJECT TO CHANGE
November 2009

HYDROBOOST™
In-Wall Recessed
Bottle Filling Station

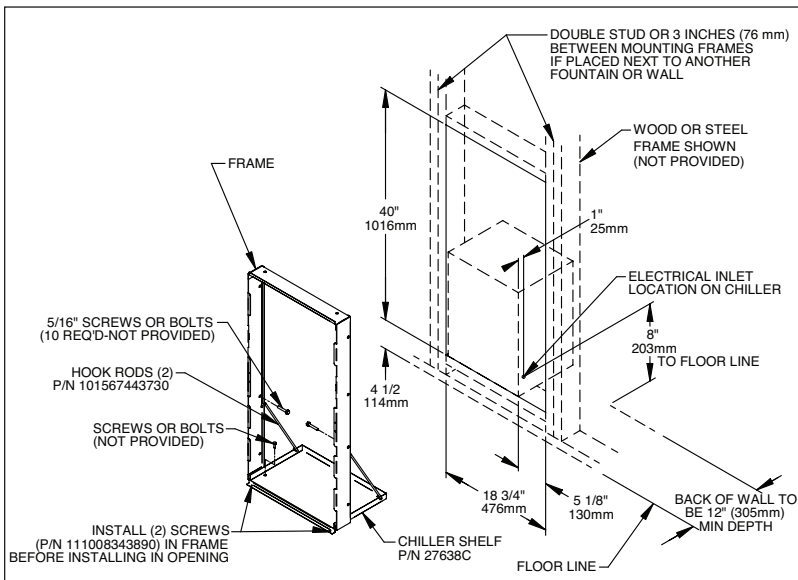
* Rated for Indoor Use Only

OPERATING PRESSURES:
 Supply water - 105 psi maximum

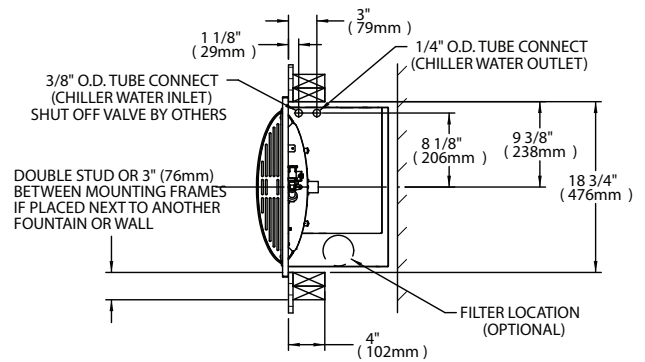
Minimum 40 psi supply line pressure required in special circumstances when both sides of bilevel are in use simultaneously to ensure adequate stream height. Does not apply to non-refrigerated units.

ELECTRICAL

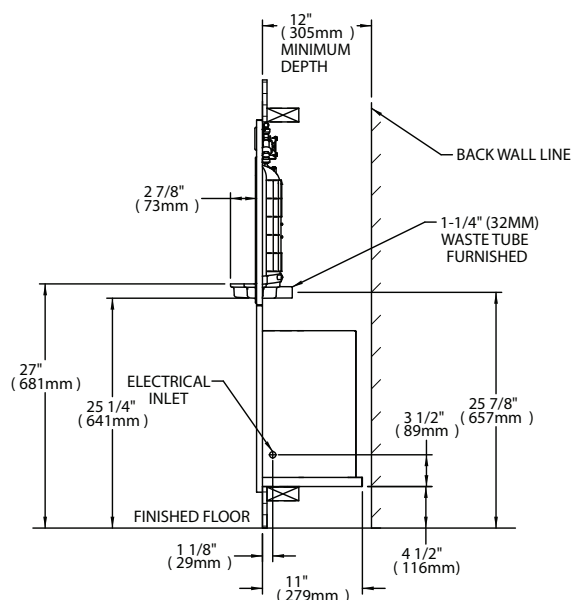
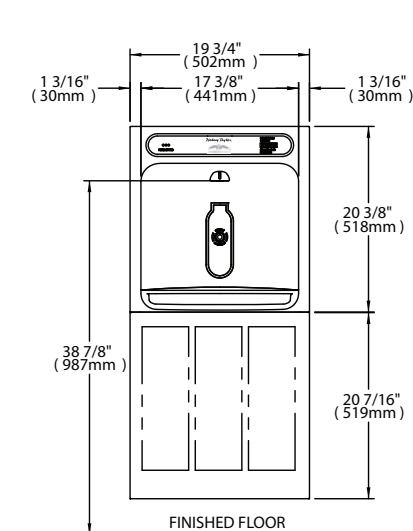
Furnished with plug-in, 3-wire grounding type service cord. Standard 120 volt, 60 Hz, single phase. Install 120-volt receptacle, rated at 15-amp minimum, to receive 3-wire parallel blade grounding type male plug.



SIDE VIEW



FRONT VIEW / WALL LAYOUT



Halsey Taylor®

Specifications and measurements are subject to change without notification. Please visit halseytaylor.com for most current version.

Printed in the U.S.A.