

APPLICATION:

PRODUCT NAME:  
 HOSE STYLE POT FILLER DECK MOUNT

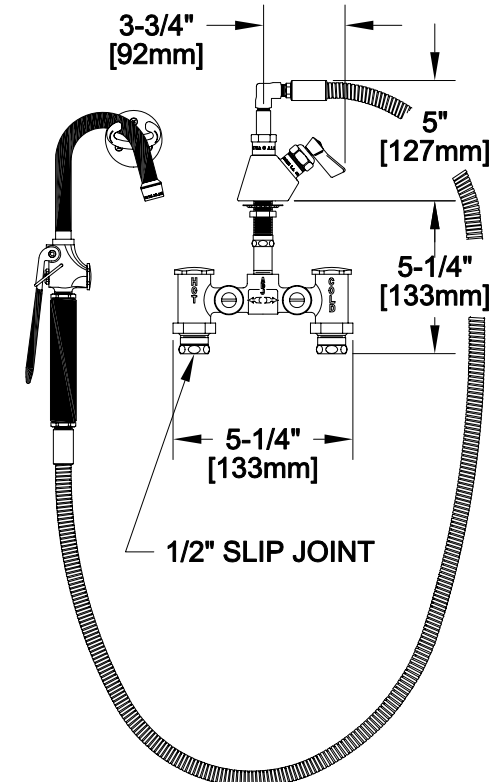
JOB NAME:

SPECIAL CONFIGURATION  
 CHECK BASE MODEL AND OPTIONS

QUANTITY:

ITEM NO.

MODEL:  
 2050



OPTIONS OR MODIFICATIONS:

- SUPPLY LINES (24" OR 36") CIRCLE LENGTH
- ADD-ON FAUCET (6", 8", 10", 12", 14", 16") CIRCLE
- IN-LINE DUAL CHECK VALVE
- PIPE HOOK
- HANDLES (CROSS OR WRIST) CIRCLE STYLE
- VANDAL RESISTANT KIT
- OTHER \_\_\_\_\_

**FEATURES**

**CONTROL VALVE**

- \* SINGLE DECK CONTROL
- \* TEMPERATURE CONTROL VALVE WITH INTERNAL SPRING LOADED CHECK VALVES
- \* STEM - LEFT HAND
- \* SWIVELLING SEAT DISKS
- \* HOT AND COLD INDEX BUTTONS
- \* STAINLESS STEEL SEATS
- \* STAINLESS STEEL SEAT SCREWS
- \* STAINLESS STEEL HANDLE SCREWS

**HOSE**

- \* 60" LENGTH
- \* STAINLESS STEEL END FITTINGS
- \* STAINLESS STEEL EXTERNAL JACKET
- \* USDA APPROVED FOODGRADE INTERNAL HOSE
- \* REPAIRABLE IN-FIELD WITH SIMPLE TOOLS

**POT FILLER VALVE**

- \* NON-MARRING TUBE
- \* AERATED STREAM
- \* 5.0 GPM AT 80 PSI

**SWIVEL ELBOW**

- \* 360° TURNING RADIUS

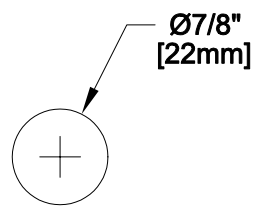
**SYSTEM LIMITS**

- \* TEMP: 40°F MIN. TO 140°F MAX.
- \* PRESSURE: 200 PSI MAX. STATIC

**SHIPPING WEIGHT**

- \* 8.0 LBS

**ROUGH-IN:**



FISHER MANUFACTURING COMPANY  
 TOLL FREE: 800-421-6162 - FAX: 800-832-8238  
 information@fisher-mfg.com - www.fisher-mfg.com