

APPLICATION:  
 JOB NAME:  
 QUANTITY:                      ITEM NO.

PRODUCT NAME:  
 CONTROL VALVE 8D RIG  
 SPECIAL CONFIGURATION  
 CHECK BASE MODEL AND OPTIONS

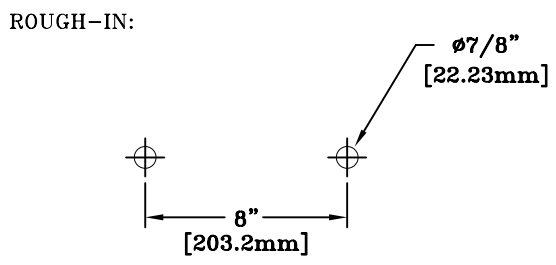
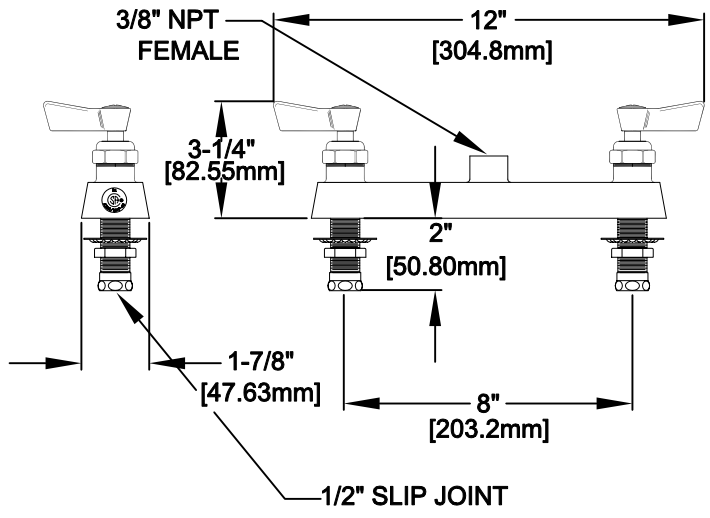
MODEL:  
 2300

OPTIONS OR MODIFICATIONS:  
 SUPPLY LINES (24" OR 36") CIRCLE LENGTH  
 NIPPLES  
 ELBOWS  
 HANDLES (CROSS OR WRIST) CIRCLE STYLE  
 VANDAL RESISTANT KIT  
 OTHER \_\_\_\_\_

FEATURES

- \* 8" DECK
- \* SWIVELLING SEAT DISKS
- \* HOT SIDE STEM - RIGHT HAND, COLD - LEFT HAND
- \* STAINLESS STEEL SEATS
- \* STAINLESS STEEL SEAT SCREWS
- \* STAINLESS STEEL HANDLE SCREWS

SHIPPING WEIGHT  
 \* XX.XX LBS



APPLICATION:

PRODUCT NAME:

**CONTROL VALVE 8D RIG CV**

JOB NAME:

SPECIAL CONFIGURATION  
 CHECK BASE MODEL AND OPTIONS

QUANTITY:

ITEM NO.

MODEL:

2300-CV

OPTIONS OR MODIFICATIONS:

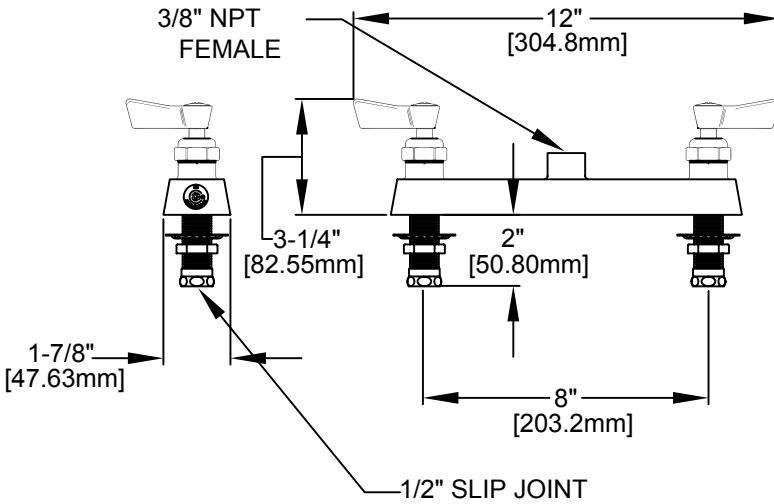
- SUPPLY LINES (24" OR 36") CIRCLE LENGTH
- ADD-ON FAUCET (6", 8", 10", 12", 14", 16") CIRCLE
- IN-LINE DUAL CHECK VALVE
- HANDLES (CROSS OR WRIST) CIRCLE STYLE
- VANDAL RESISTANT KIT
- OTHER \_\_\_\_\_

FEATURES:

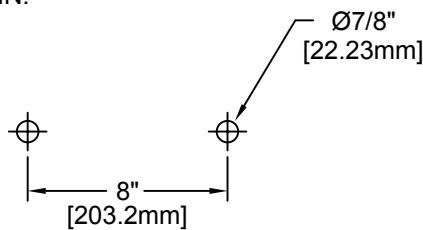
- \* 8" DECK \* STAINLESS STEEL BALL
- \* INTERNAL SPRING LOADED CHECK VALVES
- \* SWIVELLING SEAT DISKS
- \* HOT SIDE STEM - RIGHT HAND, COLD - LEFT HAND
- \* STAINLESS STEEL SEATS
- \* STAINLESS STEEL SEAT SCREWS
- \* STAINLESS STEEL HANDLE SCREWS

SHIPPING WEIGHT

\* XX.XX LBS



ROUGH-IN:



ANSI/A112.18.1M



FISHER MANUFACTURING COMPANY

TOLL FREE: 800-421-6162 - FAX: 800-832-8238

information@fisher-mfg.com - www.fisher-mfg.com

APPLICATION:

JOB NAME:

QUANTITY:                      ITEM NO.

PRODUCT NAME:  
8" C/C DECK MOUNT CONTROL VALVE  
SWIVEL OUTLET

SPECIAL CONFIGURATION  
CHECK BASE MODEL AND OPTIONS

MODEL:  
■ 3300

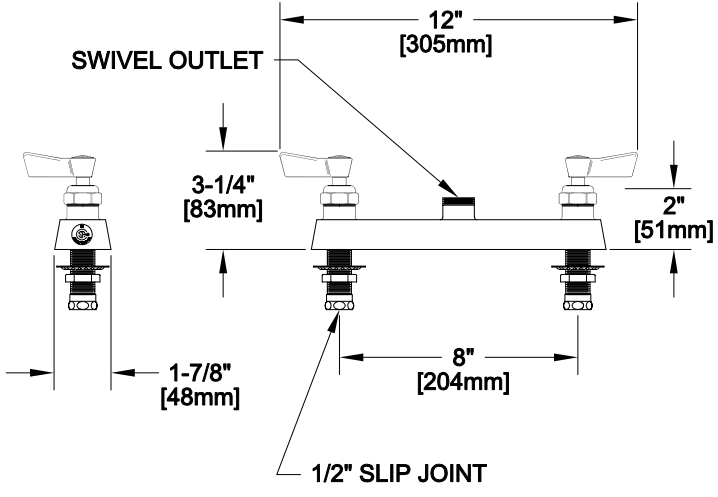
OPTIONS OR MODIFICATIONS:  
 OTHER \_\_\_\_\_

FEATURES

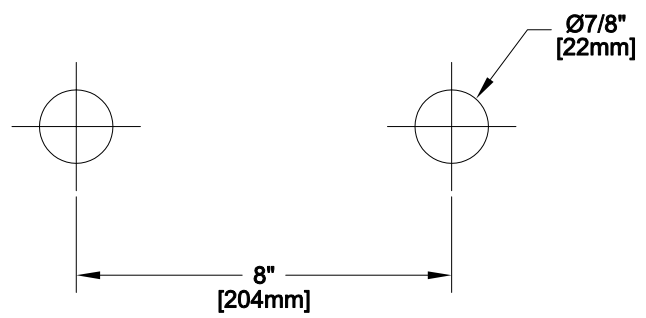
- CONTROL VALVE
- \* 8" DECK MOUNT
  - \* SWIVELLING SEAT DISKS
  - \* HOT SIDE STEM - RIGHT HAND
  - \* COLD SIDE STEM - LEFT HAND
  - \* STAINLESS STEEL SEATS
  - \* STAINLESS STEEL SEAT SCREWS
  - \* STAINLESS STEEL HANDLE SCREWS

- SYSTEM LIMITS
- \* TEMP: 40°F MIN. TO 140°F MAX.
  - \* PRESSURE: 200 PSI MAX. STATIC

- SHIPPING WEIGHT
- \* 3.75 LBS



ROUGH-IN:



**FISHER**  
FISHER MANUFACTURING COMPANY  
TOLL FREE: 800-421-6162 - FAX: 800-832-8238  
information@fisher-mfg.com - www.fisher-mfg.com

APPLICATION:

JOB NAME:

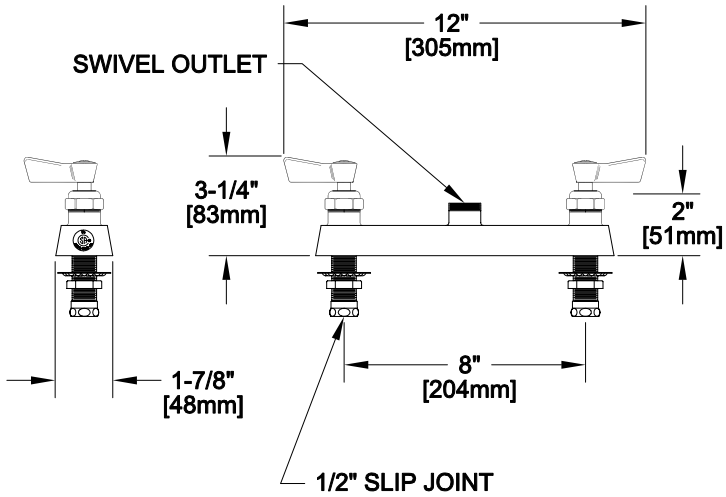
QUANTITY:                      ITEM NO.

PRODUCT NAME:  
8" C/C DECK MOUNT CONTROL VALVE SWIVEL OUTLET

SPECIAL CONFIGURATION  
 CHECK BASE MODEL AND OPTIONS

MODEL:  
 3300-CV

OPTIONS OR MODIFICATIONS:  
 OTHER \_\_\_\_\_



**FEATURES**

**CONTROL VALVE**

- \* 8" DECK MOUNT
- \* INTERNAL SPRING LOADED CHECK VALVES
- \* SWIVELLING SEAT DISKS
- \* HOT SIDE STEM - RIGHT HAND
- \* COLD SIDE STEM - LEFT HAND
- \* STAINLESS STEEL SEATS
- \* STAINLESS STEEL SEAT SCREWS
- \* STAINLESS STEEL HANDLE SCREWS

**SYSTEM LIMITS**

- \* TEMP: 40°F MIN. TO 140°F MAX.
- \* PRESSURE: 200 PSI MAX. STATIC

**SHIPPING WEIGHT**

- \* 3.75 LBS

**ROUGH-IN:**

