

APPLICATION:

PRODUCT NAME:

SINGLE DECK BASE - RIGID

JOB NAME:

SPECIAL CONFIGURATION
CHECK BASE MODEL AND OPTIONS

QUANTITY:

ITEM NO.

MODEL:

2903

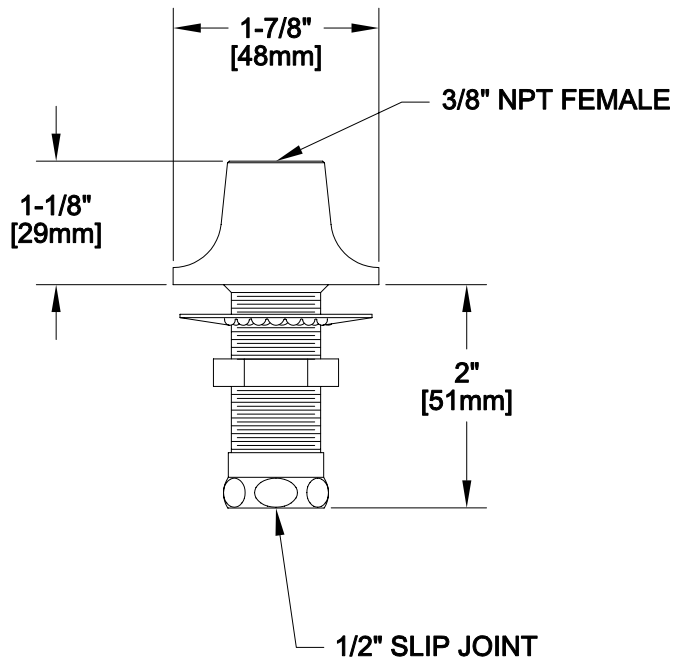
OPTIONS OR MODIFICATIONS:

OTHER _____

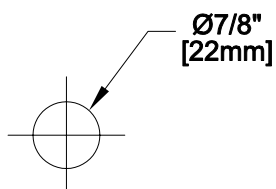
FEATURES

SHIPPING WEIGHT

* 0.75 LBS



ROUGH-IN:



ANSI/A112.18.1M

FISHER

FISHER MANUFACTURING COMPANY

TOLL FREE: 800-421-6162 - FAX: 800-832-8238

information@fisher-mfg.com - www.fisher-mfg.com

APPLICATION:

PRODUCT NAME:

SINGLE DECK MOUNT BASE - SWIVEL

JOB NAME:

SPECIAL CONFIGURATION
 CHECK BASE MODEL AND OPTIONS

QUANTITY:

ITEM NO.

MODEL:

3800

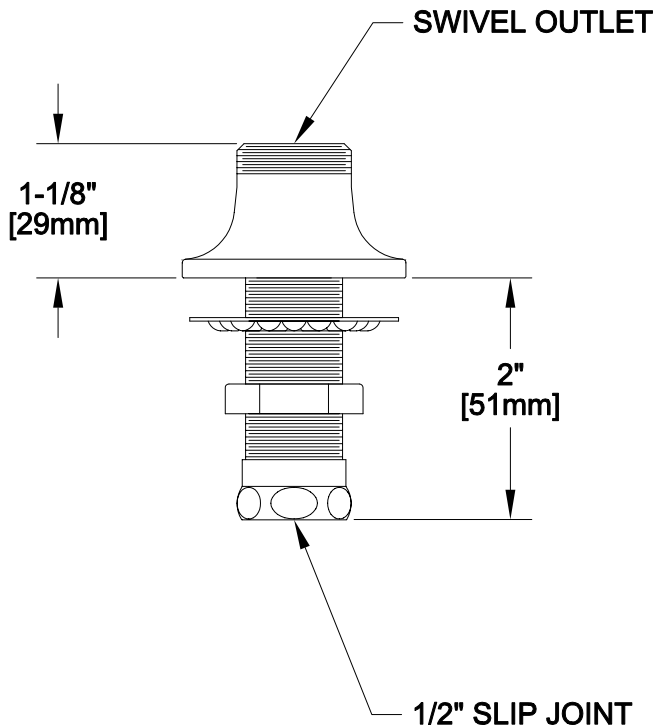
OPTIONS OR MODIFICATIONS:

OTHER _____

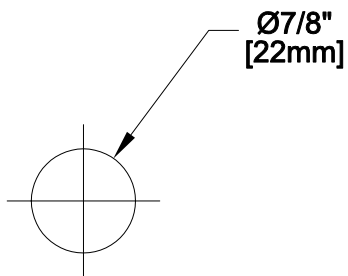
FEATURES

SHIPPING WEIGHT

* 0.75 LBS



ROUGH-IN:



ANSI/A112.18.1M

FISHER

FISHER MANUFACTURING COMPANY

TOLL FREE: 800-421-6162 - FAX: 800-832-8238

information@fisher-mfg.com - www.fisher-mfg.com