

- ADA Compliant Hands-Free Activation
- Capacitive Sensing Omni-Directional Detection Zone
- 6 VDC Control Powered by (4) 'D'-Cell Alkaline Batteries (included)
- Optional 100-120 VAC Plug-in Adapter
- Optional 100-120 VAC 6-Unit Plug-In Adapter
- Includes 4" Anti-Rotational Trimplate

Specifications

Component Operation

6VDC battery-powered control powered by (4) "D"-cell alkaline batteries (included). Average battery life: 500,000 activations. Optional 100-120 VAC plug-in adapters are available for both single and multi-faucet applications.

Flow Control/Rate

Operating water pressure range is 20-80 psi. Flow regulator keeps flow rate constant at all pressures. The flow is laminar at a rate of 1.5 gpm.

Body

Chrome plated solid brass body. Centershank or 4" centerset mounting (with included trimplate). 8" trimplate available separately.

Standard Equipment

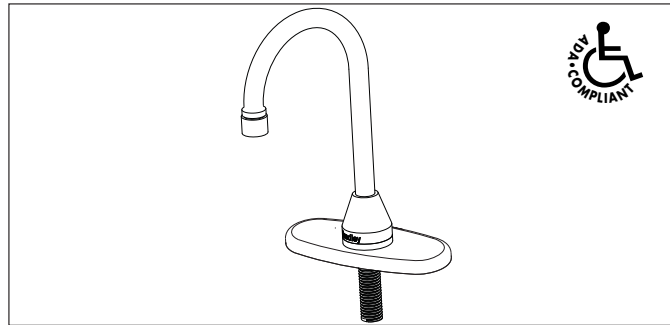
The Aerada 1200 Series CS gooseneck faucet creates an omni-directional detection zone utilizing capacitive sensing technology. The capacitive sensing field triggers faucet activation only when a significant change in the capacitive field occurs. Only human presence will create a significant change in the capacitive field. As such, inanimate objects will not trigger faucet activation. The faucet is unaffected by varying skin tones, other infrared presence and soap scum build-up.

Valve

The electronically activated motor driven valve provides reliable performance since there are few moving parts. Valve includes an in-line filter to trap debris and is unaffected by most chemicals and minerals found in municipal water supplies. Valve features a factory-set maximum water run-on duration of 15 seconds. Valve control module features a manual override control for applications requiring periodic flushing of the water lines. The valve and electronics are enclosed in a water-resistant housing mounted below the fixture.

Sample Specification

Hands-free capacitive sensing faucet shall be Bradley Aerada™ 1200 Series CS gooseneck faucet (S53-325). Capacitive sensing technology creates an omni-directional detection zone enabling faucet activation to occur regardless of angle of approach and requires no infrared sensors. The faucet will only activate when human presence enters the detection zone; inanimate objects will not cause faucet activation. The omni-directional detection zone is automatically calibrated when power is initially supplied to the faucet. The 6 VDC faucet is powered by (4) 'D'-cell alkaline batteries (included) concealed inside a remotely located battery box. The electronically activated motor control valve is enclosed in a water-resistant housing mounted beneath the fixture. Valve control module to have maximum water run on duration of 15 seconds providing increased water conservation. Faucet shall feature chrome-plated solid brass spout with centershank, or 4" centerset mounting with included anti-rotational trimplate.



Models

Faucet with Trim Plate:

S53-325 Aerada 1200 Series CS Gooseneck Faucet

Optional Selections

Trimplate:

159-428 8" Trimplate and Hardware

Plug-In Adapter:

153-443 100-120 VAC plug-in adapter (Single Faucet)

153-444 100-120 VAC 6-Unit adapter (2-6 Faucets)

269-1841 Wire for 6-Unit Adapter (1 per faucet)

Water Supply:

S59-4004XS TMA Vernatherm™ Thermostatic Mixing Valve Pre-Pack

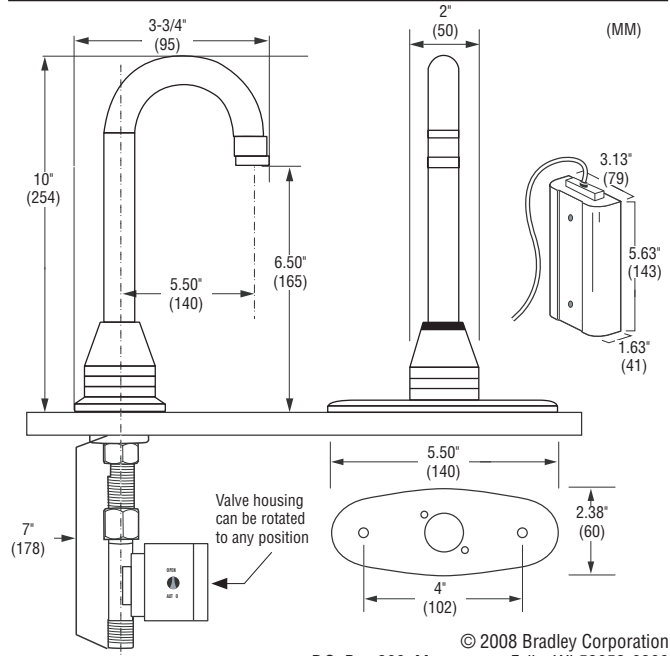
S45-2081 TL Single Tempered Line w/ Stop, Strainer, Check Valves

Temperature Selection Valve:

S01-515 MM2, User-Adjustable Mixing Valve, High Flow, 3 GPM

Drain Assembly:

269-1231 D-ASSY, Drain, Strainer, and Tailpiece



© 2008 Bradley Corporation
 P.O. Box 309, Menomonee Falls, WI 53052-0309
 Phone: 800.BRADLEY(800.272.3539) Fax: 262-253-4161
 bradleycorp.com