

- Reliable wax-filled thermostat
- Adjustable set point within temperature range
- Easy installation and serviceability
- Dirt and lime resistant
- Integral strainers on supply inlets
- Factory assembled and tested
- Mounting bracket
- Optional checkstops and supply hoses

Valve Specifications

Maximum Operating Pressure

125 PSI (860 kPa)

Maximum Inlet Temperature

180 F (82° C)

Temperature Range

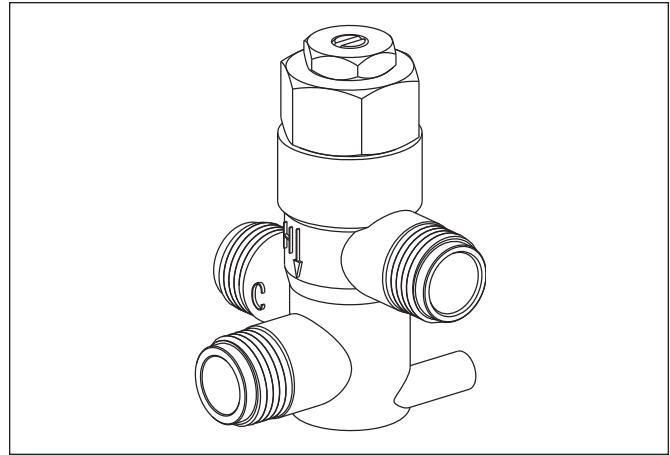
Std. 95° F (35° C) to 115° F (43° C)

Flow Capacities – GPM (L/Min)

Model	Min. Flow	Pressure Drop – PSI (Bar)							
		5 (.5)	10 (1.0)	15 (1.5)	20 (2.0)	30 (2.5)	45 (3.0)	60 (4.0)	
S59-4004	0.5 (2.0)	2.0 (10.0)	2.5 (12.0)	3.0 (14.5)	3.5 (16.0)	4.5 (18.5)	5.5 (20.5)	6.5 (23.5)	

Models (Must select one)

Model	Description
<input type="checkbox"/> S59-4004	Vernatherm™ Thermostatic Mixing Valve
<input type="checkbox"/> S59-4004XS	Vernatherm™ Thermostatic Mixing Valve with Checkstops and Supply Hoses



Code Compliance and Certifications

ASSE 1070 & cUPC certified.



Engineer's Approval _____

Dimensions

