

- Standard Model 2873-000000 – 115 Volt, 20 amp, 60 Hz Hand Dryer-White
- Standard Model 2874-000000 – 115 Volt, 20 amp, 60 Hz Hair Dryer-White

- Surface-Mounted
- Push Button Activation

### Product Materials

**COVER:** gray cast iron with porcelain enamel on all exterior surfaces.

**WALL BOX:** 16 gauge steel.

**UNIVERSAL NOZZLE AND PUSH BUTTON:** rust and corrosion-free diecast zinc with chrome-plated finish. Hand dryer universal nozzle ships fixed but is easily adjustable in the field to be rotating. Hair dryer universal nozzle ships rotating but is easily adjustable in the field to be fixed.

**MOTOR:** universal type, 1/10 HP at 7500 RPM with resilient ring mounts and sealed, lubricated ball bearings. Protected by 2-amp fuse.

**HEATING ELEMENT:** 2300 watt nickel chromium wire wound on ceramic cruciforms with integral automatic resetting circuit breaker.

**SWITCH TIMER:** 25-amp rated switch, 30-second timer Model 2873; 80-second timer Model 2874.

**BLOWER:** operates at 7500 RPM delivering 154 CFM at 140 deg. F. and average velocity of 7300 LFM.

**BASE PLATE:** rust-free diecast aluminum; media polished to bright finish.

**AIR INLET:** position on bottom of cover, Model 2873; top of cover, Model 2874. Inlet covered by expanded steel grillwork.

**COVER LOCKING:** two detent rods secured by 1/4" diameter socket head safety screws; special wrench provided.

### Operation

Press push button and release to activate dryer. Rotate nozzle to direct air flow on face.

### Installation

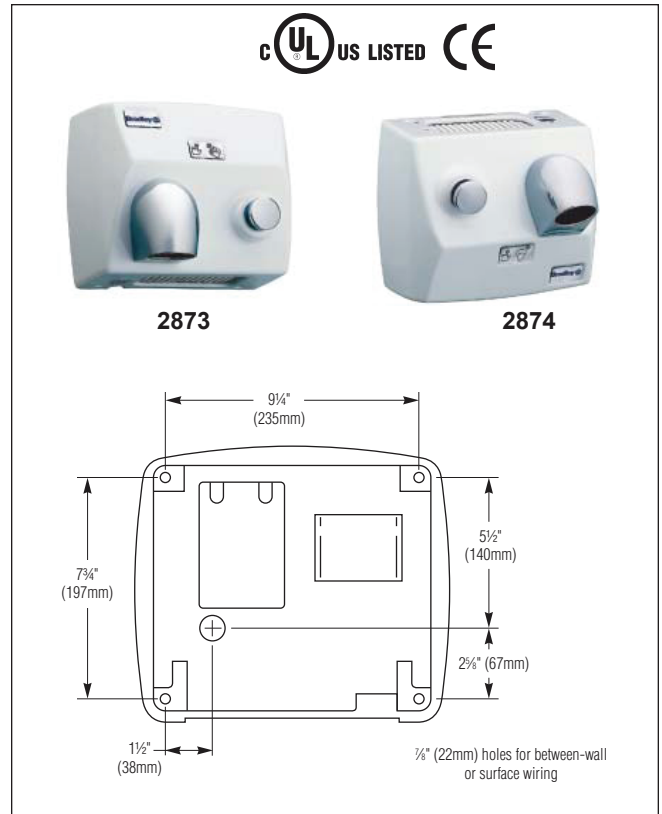
Verify all rough-in dimensions prior to installation. Secure base plate to wall with four 1/4" diameter fasteners suitable to wall construction. Base knockouts allow either rear or front wiring. Connect electrical service to terminal block on blower housing per cover mounted wiring diagram. Attach cover to base before energizing dryer at breaker panel.

Washroom Accessories  
Document No. 8245

This information is subject to change without notice.

Always consult local and national codes for proper installation guidelines. Conformity and compliance to local and national codes is the responsibility of the installer.

4-12-2010



### Optional Features

Feature	Suffix
<input type="checkbox"/> 208/240 Volt, 10 amp, 60 Hz	-53
<input type="checkbox"/> 230 Volt, 10 amp, 50 Hz	-49
<input type="checkbox"/> 277 Volt, 8.5 amp, 60 Hz	-44

- For Export (CE certified), specify (-49).

### Guide Specification

Surface-mounted hand (hair) dryer cover shall be fabricated of porcelain enamel gray cast iron fitted with insulated push button and universal nozzle. Universal type motor with resilient mounts and sealed, lubricated ball bearings; fuse protected. Automatic reset circuit breaker protecting heating element. Dryer operates at 74 dB while delivering 154 CFM of air at 140 F and 7300 LFM average velocity for 30 seconds (80 seconds for hair).

**Overall dimensions: 11 5/8"W x 9 3/8"H x 6 5/8"D (8 1/4" at nozzle tip).**