

Model 5071

- Controlled Delivery — Rocking Action
- Single Roll (For Dual Roll see Model 5241)

Product Materials

BRACKET: diecast aluminum.

SPINDLE: gray polystyrene. Stainless steel spring.

Capacity

One standard core toilet tissue roll through 5½" in diameter.

Operation

Remove tissue roll core to access special locking mechanism for servicing. Stops on spindle control paper delivery. Spindle revolves only ½ turn for each dispensing operation and returns to original position.

Installation

Verify all rough-in dimensions prior to installation. Secure to wall with mounting screws (included) at holes provided.

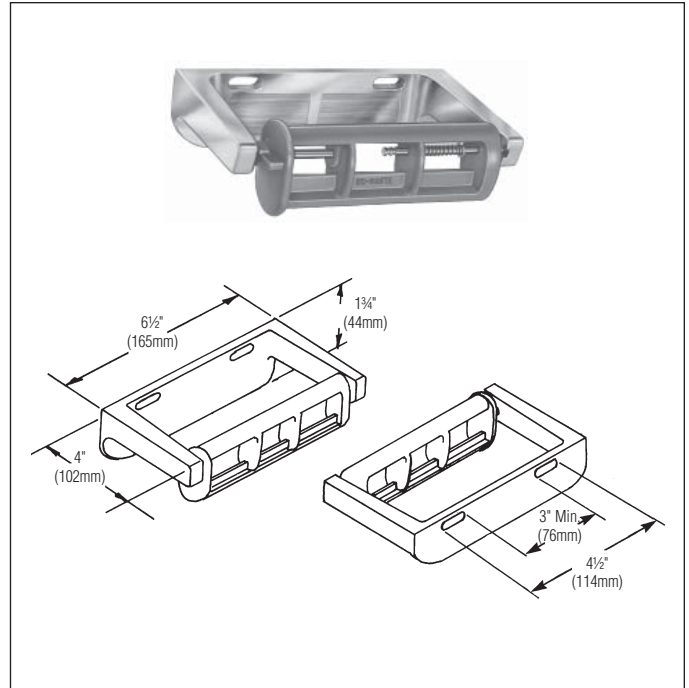
Optional Features

Feature	Suffix
<input type="checkbox"/> Non-controlled delivery	-50

Guide Specification

Surface-mounted toilet tissue dispenser shall be diecast aluminum with satin finish and hold one standard core toilet tissue roll. Stops control paper delivery.

Overall dimensions: 6½"W x 1¾"H x 4"D.



Washroom Accessories
Document No. 8440

This information is subject to change without notice.

Always consult local and national codes for proper installation guidelines. Conformity and compliance to local and national codes is the responsibility of the installer.

10-30-2009

© 2009 Bradley Corporation
P.O. Box 309, Menomonee Falls, WI 53052-0309
Phone: 800.BRADLEY (800.272.3539) Fax: 262.253.4161
bradleycorp.com