



Barrier-Free Fountain

MODEL 4705 FR



This fountain is certified to NSF/ANSI 61.

GENERAL

Wall-mounted, Endura™ steel fountain with textured powder coat finish and E-Coat immersion for year-round beauty with minimum maintenance. The E-Coat immersion process coats the outside and inside of the fountain for the ultimate in corrosion protection. Contour-formed stainless steel basin with rounded corners and edges reduces splatter, insures proper drainage and prevents standing waste water. Designed to be easily accessible to both physically challenged and able-bodied individuals. Ideally suited for installation in public areas. Model meets state and federal requirements as defined by the Americans with Disabilities Act.

FREEZE-RESISTANT VALVE SYSTEM

Freeze-resistant system features box that installs behind non-freezing wall for housing water connection from the stop to the strainer.

BUBBLER

Exclusive one-piece, vandal-resistant, chrome-plated two-stream mound-building bubbler with non-removable anti-squirt feature and integral hood insures a satisfying drink of water.

PUSHBUTTON ACTUATION MECHANISM

Self closing, vandal-resistant pushbutton does not require grasping or twisting.

AUTOMATIC STREAM HEIGHT REGULATOR

Self-closing assembly is located inside unit to prevent tampering. Unit resists corrosion and liming. A constant stream height is automatically maintained under line pressures that vary from 20 to 105 psi.

INLET STRAINER

Easily cleaned in-line strainer screen traps particles of 140 microns or larger before they enter the waterway.

WATER INLET

3/8" O.D. Tubing into freeze-resistant box.

DRAIN OUTLET

1-1/4" waste outlet located in freeze-resistant valve system.

SUGGESTED SPECIFICATIONS

Fountain shall include pushbutton on the front. Shall include contour-formed basin to eliminate splashing and standing water, and shall have rounded corners and edges. Projector shall be two-stream, mound-building type with integral hood guard and anti-squirt feature. Fountain shall comply with ANSI 117:1 and ADA for visual and motion disabilities. The manufacturer shall certify the unit to meet the requirements of NSF/ANSI 61, and the Safe Drinking Water Act.

Note: Continued product improvement makes specifications subject to change without notice. See Halsey Taylor website for most current spec sheet.



Standard finish is Evergreen textured powder-coat Endura II™

Each 4705FR consists of 2 cartons of the following:

- Fountain
- Freeze-Resistant System

Service stop not included.

Shipping weight: 53 lbs.

| |
|---------------------------------|
| JOB NAME: _____ |
| _____ |
| ENGINEER/CONTRACTOR NAME: _____ |
| _____ |
| APPROVAL: _____ |
| DATE: _____ |



4705 FR

**Freeze-Resistant
Barrier-Free Endura II™
Steel Wall-Mount Fountain**

(CONTINUED)

MOUNTING INSTRUCTIONS

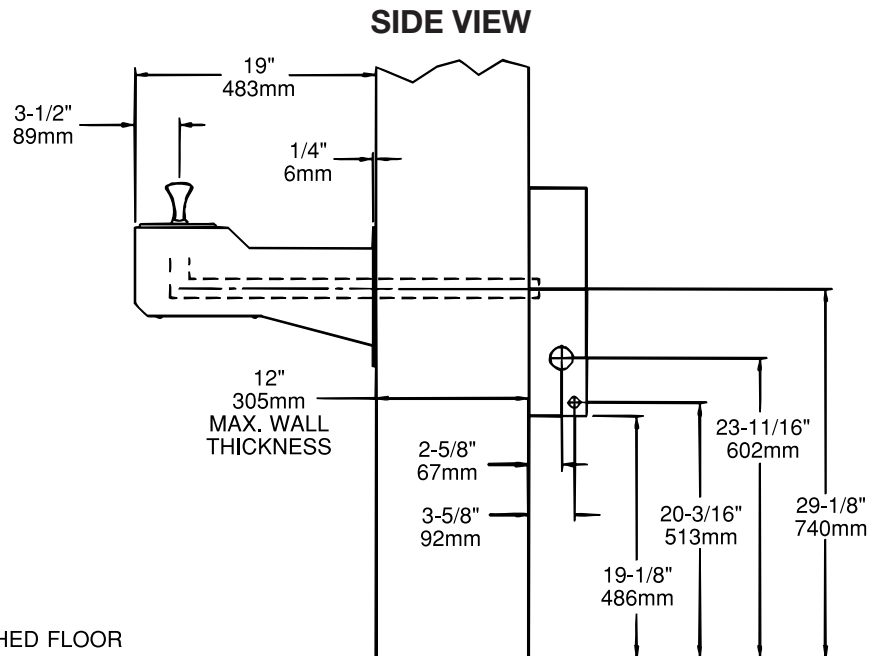
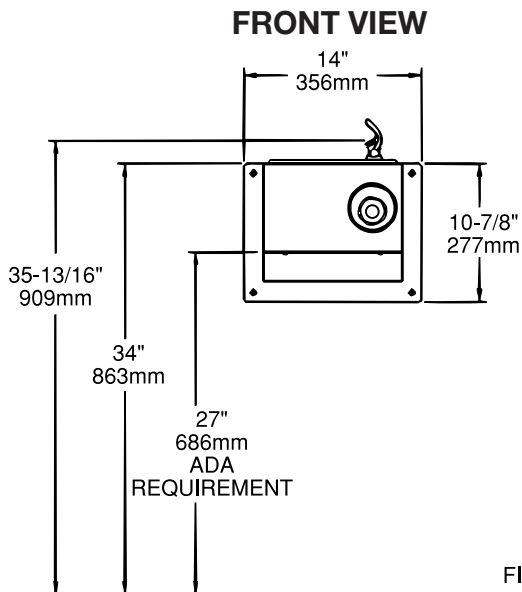
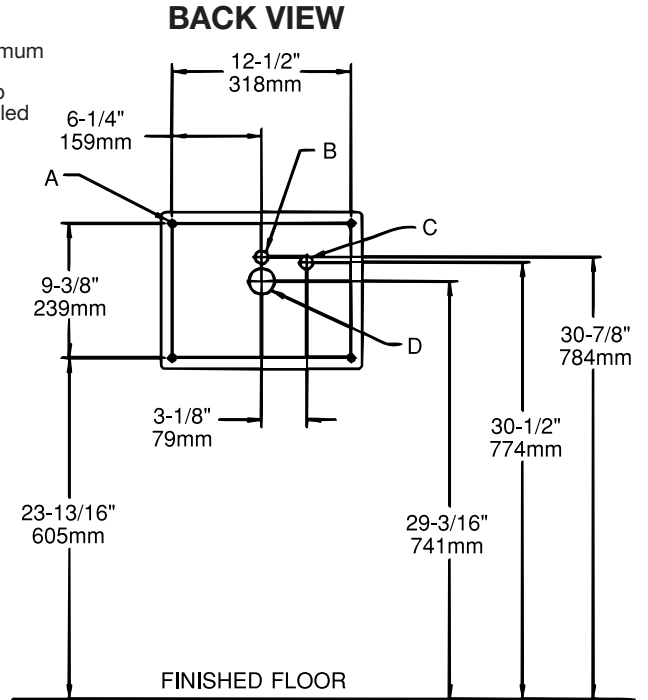
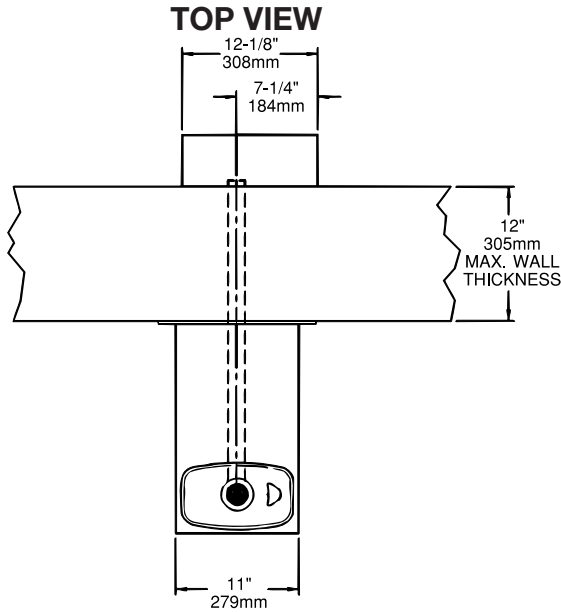
Refer to diagrams for rough-in of freeze-resistant system and plumbing. This fountain is to be mounted on a smooth, flat finished wall surface with adequate support structure. See installation instructions provided with fountain for required wall support locations. NOTE: Wall mounting structure must be capable of supporting 300 lb. load on fountain. Water service line and waste line are to be assembled as required. Final check for leaks and correct functions of fountain should be made. (For details see the installation instructions.)

Freeze resistant box must be installed on interior non-freezing wall.

CAUTION — Fountain must be securely bolted to wall.

OPERATING PRESSURES:
Supply water - 105 psi maximum

NOTE: A service supply stop (not included) must be installed at the fountain inlet line.



LEGEND:
A = MOUNTING BOLT LOCATIONS (4) (1/2" DIA. NOT PROVIDED)
B = 7/8" DIA. (22mm) HOLE FOR WATER SUPPLY TUBE.
C = 7/8" DIA. (22mm) HOLE FOR OPERATING CABLE.
D = 1-3/4" DIA. (44mm) HOLE FOR WASTE LINE.