



T&S BRASS AND BRONZE WORKS, INC.

2 SADDLEBACK COVE / P.O. BOX 1088 / TRAVELERS REST, SC 29690

PHONE 800-476-4103

FAX 864- 834-3518



REG.#A2601
ISO #9002

Sales No.

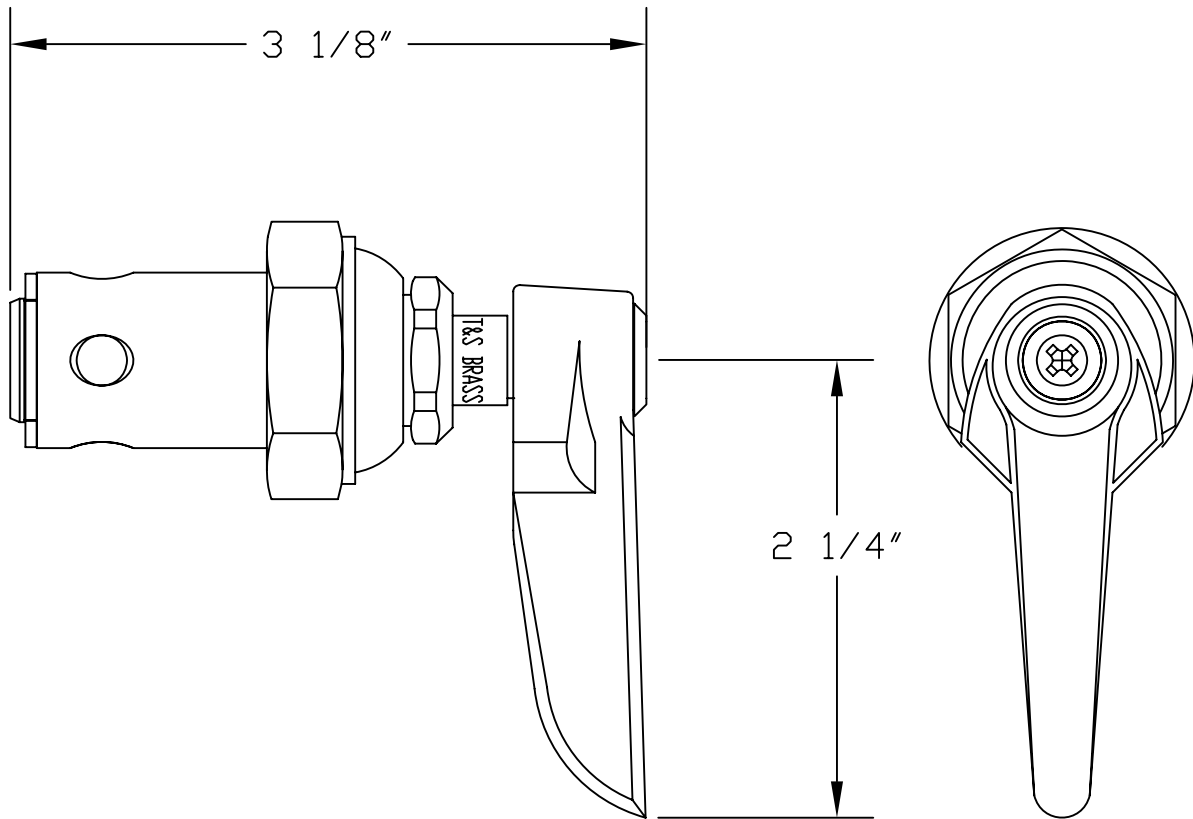
002711-40

Item No.:

Job Name:

Architect/Engineer Approval:

Notes:



Product Description:

LEFT HAND ETERNA CARTRIDGE ASM
w/ SPRING CHECK

Drawn:

DHL

Approved

JHB

Checked

MAV

Scale:

1:1

Date:

04/30/08