

T&S BRASS AND BRONZE WORKS, INC.
 2 SADDLEBACK COVE / P.O. BOX 1088 / TRAVELERS REST, SC 29690
 PHONE 800-476-4103 FAX 864- 834-3518



REG.#A2601
 ISO #9002

Sales No.

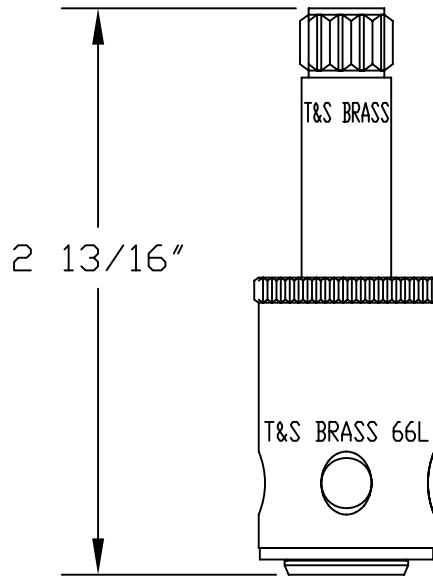
005959-40-LBN

Item No.:

Job Name:

Architect/Engineer Approval:

Notes:



Product Description:
 ETERNA CARTRIDGE ASSEMBLY
 LESS BONNET (COLD)

Drawn:

KJG

Checked

JRM

Scale:

1 : 1

Approved

JHB

Date:

09/11/08