



T&S BRASS AND BRONZE WORKS, INC.

2 Saddleback Cove / P.O. Box 1088
Travelers Rest, SC 29690



REG. #A2601
ISO #9001

Model No.
007947-40

Item No.

Travelers Rest, SC: 800-476-4103 Simi Valley, CA: 800-423-0150 Fax: 864-834-3518 www.tsbrass.com

This Space for Architect/Engineer Approval

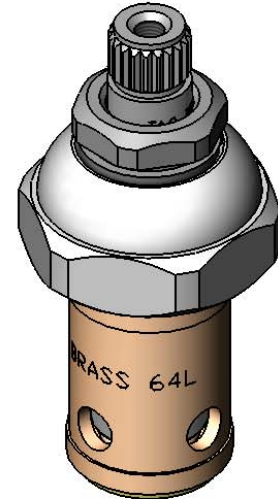
Job Name _____ Date _____

Model Specified _____ Quantity _____

Customer/Wholesaler _____

Contractor _____

Architect/Engineer _____



BRASS 64L

Accepts Lever
Handles, 4-Arm
Handles & Wrist
Action Handles

Contains 1/4-Turn Sleeve

2 13/16"
(71mm)



T&S BRASS 64L

Product Specifications:
Cartridge Assembly w/ 1/4 Turn Sleeve

Drawn WJS	Checked	Approved
Scale: 1:1	Date:	



T&S BRASS AND BRONZE WORKS, INC.

2 Saddleback Cove / P.O. Box 1088
Travelers Rest, SC 29690

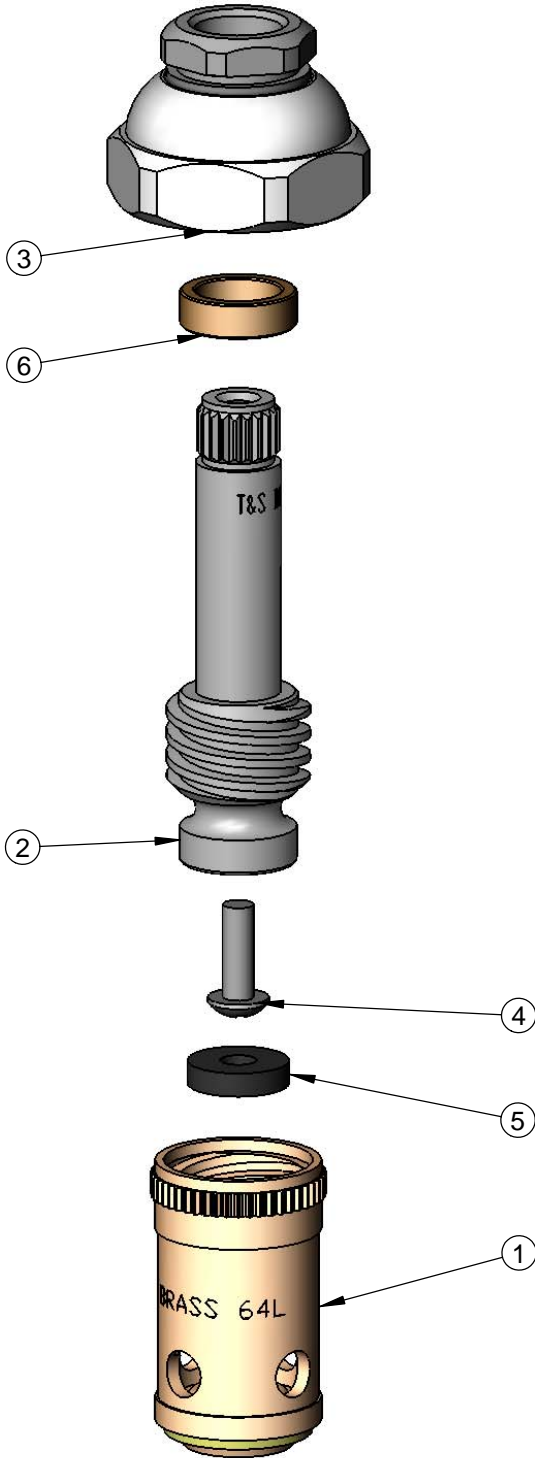


REG. #A2601
ISO #9001

Model No.
007947-40

Item No.

Travelers Rest, SC: 800-476-4103 Simi Valley, CA: 800-423-0150 Fax: 864-834-3518 www.tsbrass.com



ITEM NO.	SALES NO.	DESCRIPTION
1	006659-40	Eterna Cartridge
2	000811-25	Spindle
3	006557-40	Bonnet Asm
4	000933-45	Seat Washer Screw
5	001092-45	Seat Washer
6	001466-20	1/4 Turn Sleeve

Product Specifications:

Cartridge Assembly w/ 1/4 Turn Sleeve

Drawn WJS	Checked	Approved
Scale: 1:1	Date:	