



T&S BRASS AND BRONZE WORKS, INC.
 2 SADDLEBACK COVE / P.O. BOX 1088 / TRAVELERS REST, SC 29690
 PHONE 800-476-4103 - FAX 864- 834-3518



Sales No.

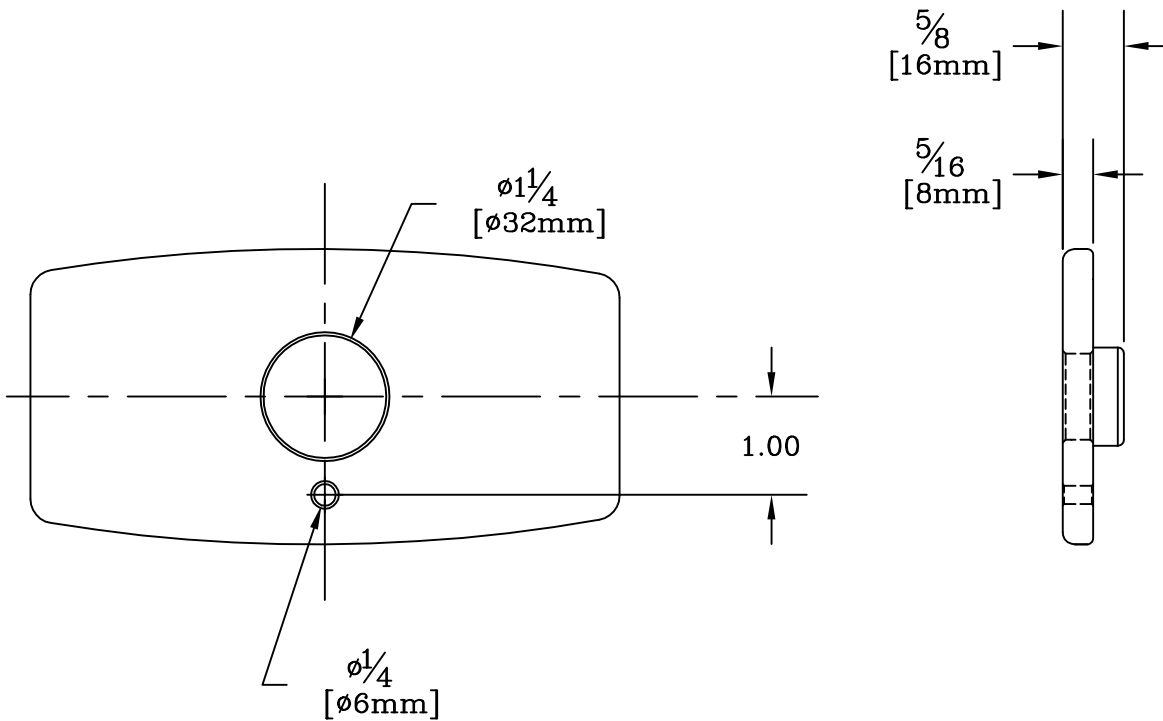
013433-40

RELIABILITY
 BUILT IN

Job Name:

Architect/Engineer Approval:

Notes:



Product Description:
 4" DECK PLATE FOR
 VISION ELECTRONIC FAUCETS

Drawn:

JKD

Checked

WJS

Scale:

1:2

Approved

MVW

Date:

7/16/02