



T&S BRASS AND BRONZE WORKS, INC.
 2 SADDLEBACK COVE / P.O. BOX 1088 / TRAVELERS REST, SC 29690
 PHONE 800-476-4103 - FAX 864- 834-3518



Sales No.

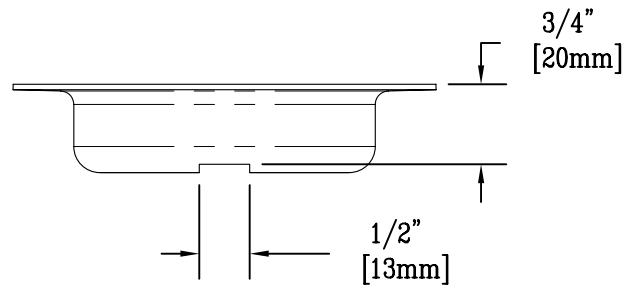
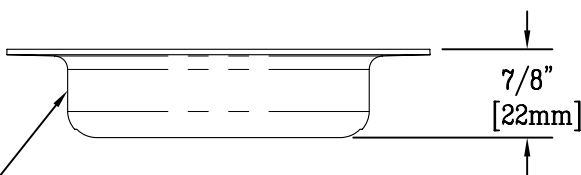
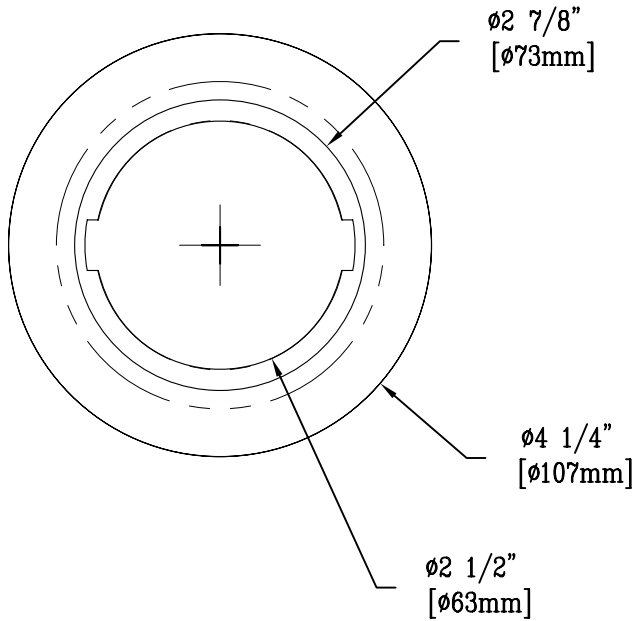
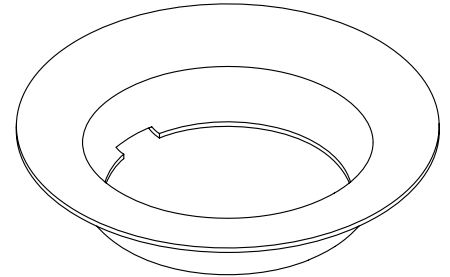
015306-45

**RELIABILITY
BUILT IN**

Job Name:

Architect/Engineer Approval:

Notes:



3-14 UN
Male Thread

Material: Stainless Steel

Product Description:
 3" Waste Drain Face Flange
 (New Style)

Drawn:

DHL

Checked

GEF

Scale:

1:2

Approved

JHB

Date:

10/16/08