

T&S BRASS AND BRONZE WORKS, INC.
 2 SADDLEBACK COVE / P.O. BOX 1088 / TRAVELERS REST, SC 29690
 PHONE 800-476-4103



REG.#A2801
 ISO #9002

Sales No.

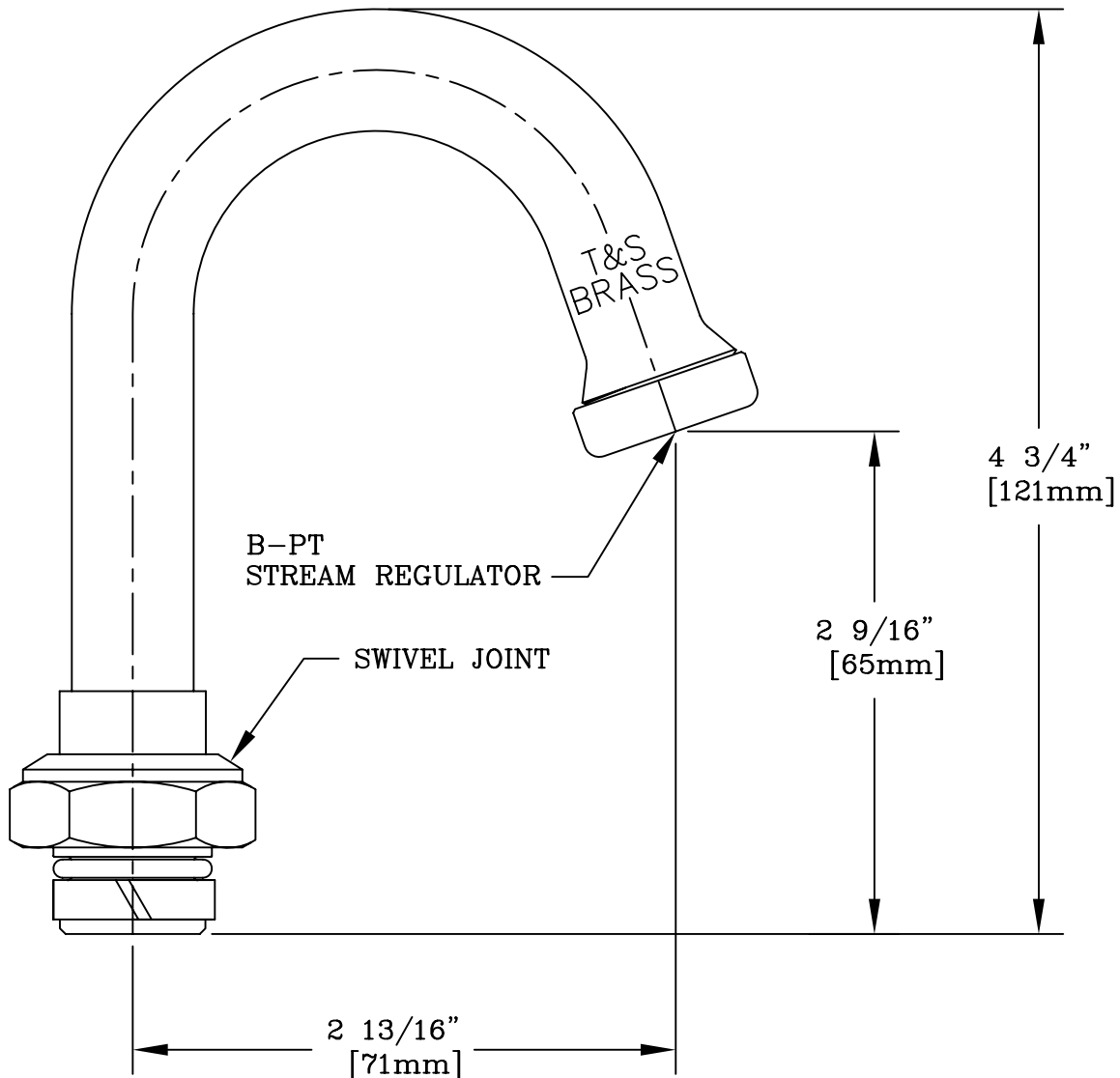
131X

Item No.:

Job Name:

Architect/Engineer Approval:

Notes:



Product Description:

131X SWIVEL GOOSENECK w/
 B-PT STREAM REGULATOR

Drawn:

DHL

Checked

MAV

Scale:

1:2

Approved

JHB

Date:

04/16/09