



T&S BRASS AND BRONZE WORKS, INC.

2 Saddleback Cove / P.O. Box 1088
Travelers Rest, SC 29690



REG. #A2601
ISO #9001

Model No.

238A-PA

Item No.

Travelers Rest, SC: 800-476-4103 Simi Valley, CA: 800-423-0150 Fax: 864-834-3518 www.tsbrass.com

This Space for Architect/Engineer Approval

Job Name _____ Date _____

Model Specified _____ Quantity _____

Customer/Wholesaler _____

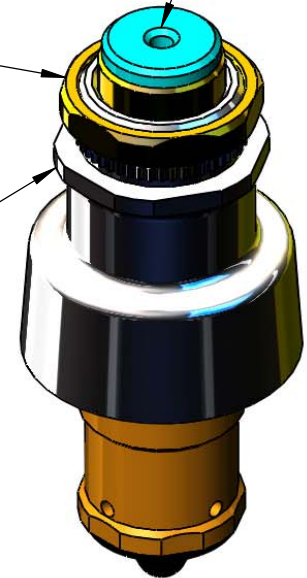
Contractor _____

Architect/Engineer _____

Access to Metering Adjustment
with a 3/32" Hex Key

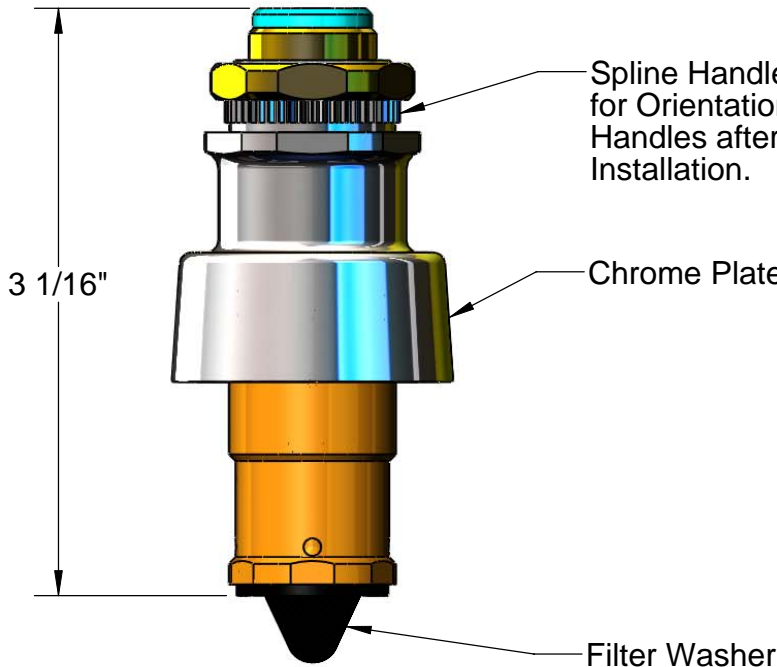
PA-N
Handle Retaining Nut
Included (1" Hex)

1 1/16" Hex on Bonnet
for Cartridge Installation
and Removal



Spline Handle Connection
for Orientation of "PA" Type
Handles after Cartridge
Installation.

Chrome Plated Brass Bonnet



Note:
1. Bonnet Washer and Filter Washer Pre-installed.

Product Specifications:

238A-PA Pivot Action Metering Cartridge
w/ Retaining Nut

| | | |
|---------------|----------------|-------------------|
| Drawn DMH | Checked GEF | Approved JHB |
| Scale: 1:1 | | Date: 07/09/08 |