



T&S BRASS AND BRONZE WORKS, INC.

2 Saddleback Cove / P.O. Box 1088
Travelers Rest, SC 29690



REG. #A2601
ISO #9001

Model No.

B-0044-H

Item No.

Travelers Rest, SC: 800-476-4103 Simi Valley, CA: 800-423-0150 Fax: 864-834-3518 www.tsbrass.com

This Space for Architect/Engineer Approval

Job Name _____ Date _____

Model Specified _____ Quantity _____

Customer/Wholesaler _____

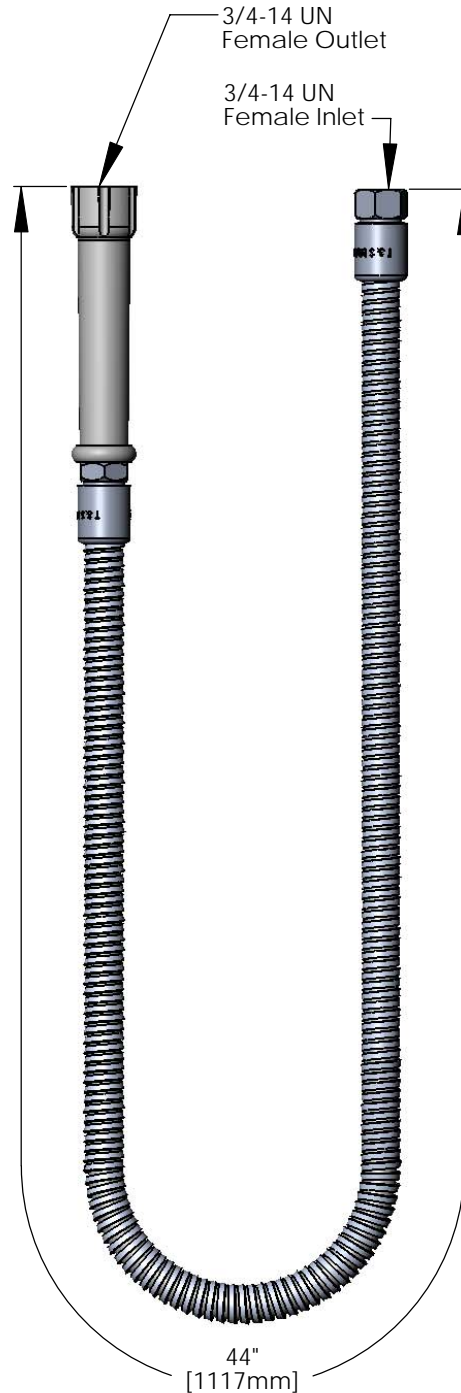
Contractor _____

Architect/Engineer _____



010476-45 Washer
Furnished w/ Hose

Flexible Stainless Steel
Hose w/ Polyurethane
Inner Hose



Product Specifications:

**44" Flexible Stainless Steel Hose Assembly w/
Gray Handle**

Drawn
KJG

Checked
DHL

Approved
JHB

Scale:

NTS

Date:

03/31/09



T&S BRASS AND BRONZE WORKS, INC.

2 Saddleback Cove / P.O. Box 1088
Travelers Rest, SC 29690



REG. #A2601
ISO #9001

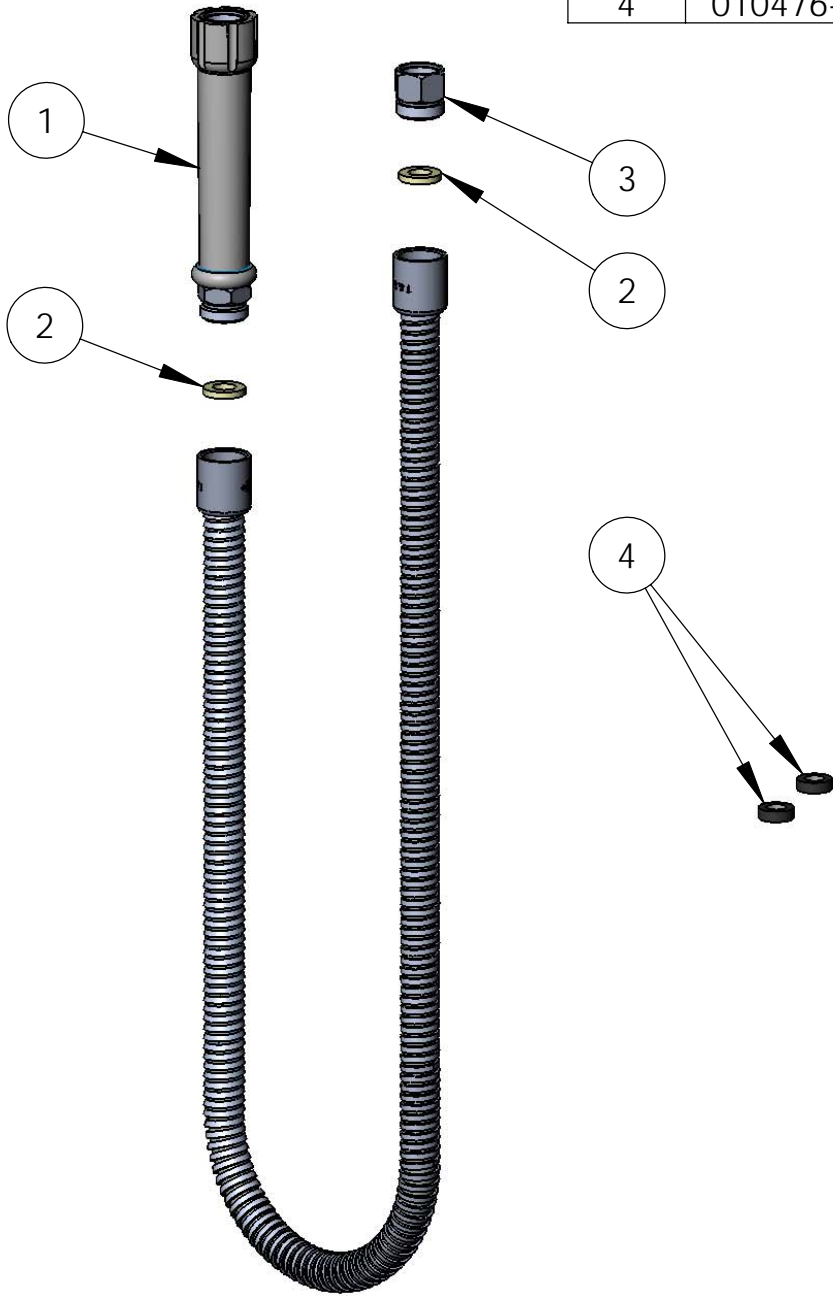
Model No.

B-0044-H

Item No.

Travelers Rest, SC: 800-476-4103 Simi Valley, CA: 800-423-0150 Fax: 864-834-3518 www.tsbrass.com

ITEM NO.	SALES NO.	DESCRIPTION
1	002987-40	Grip Handle Assembly
2	001014-45	Washer, B-0100 Hose Barrel
3	000729-40	Nut
4	010476-45	#27 Washer



Product Specifications:

**44" Flexible Stainless Steel Hose Assembly w/
Gray Handle**

Drawn
KJG

Checked
DHL

Approved
JHB

Scale:

NTS

Date:

03/31/09