



T&S BRASS AND BRONZE WORKS, INC.

2 Saddleback Cove / P.O. Box 1088
Travelers Rest, SC 29690



REG. #A2601
ISO #9001

Model No.

B-0100

Item No.

Travelers Rest, SC: 800-476-4103 Simi Valley, CA: 800-423-0150 Fax: 864-834-3518 www.tsbrass.com

This Space for Architect/Engineer Approval

Job Name _____ Date _____

Model Specified _____ Quantity _____

Customer/Wholesaler _____

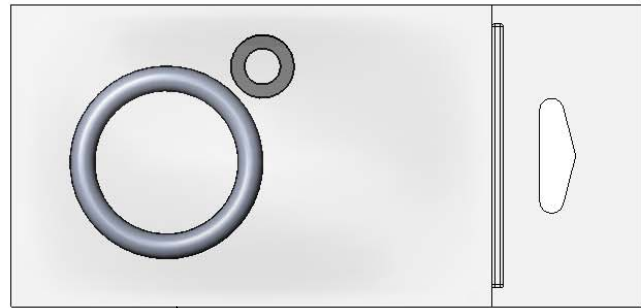
Contractor _____

Architect/Engineer _____

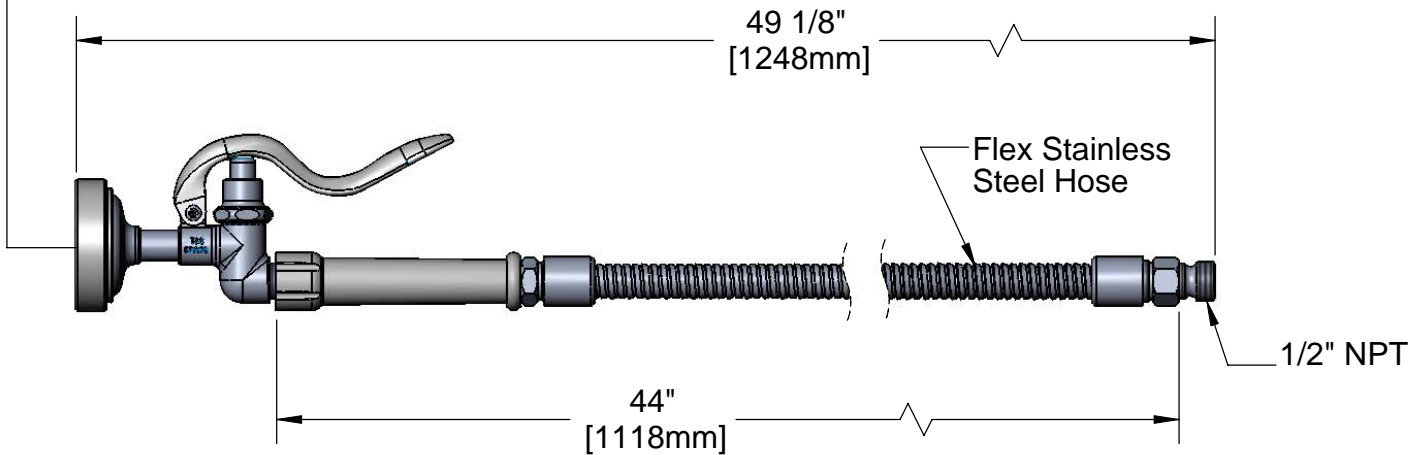
EPAAct2005 COMPLIANT



Spray Face



Furnished w/ Hose Washer & Hold Down Ring



Note: Standard Flex Hose Is 44" Long
Any Length Is Available

Product Specifications:

B-0107 Spray Valve w/ B-0044-H Flex Hose

Drawn
KJG

Checked
DHL

Approved
JHB

Scale:

1:4

Date:

11/15/07



T&S BRASS AND BRONZE WORKS, INC.

2 Saddleback Cove / P.O. Box 1088
Travelers Rest, SC 29690



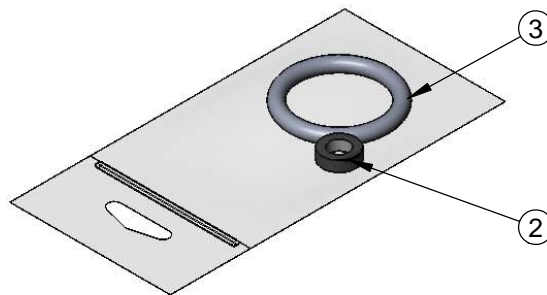
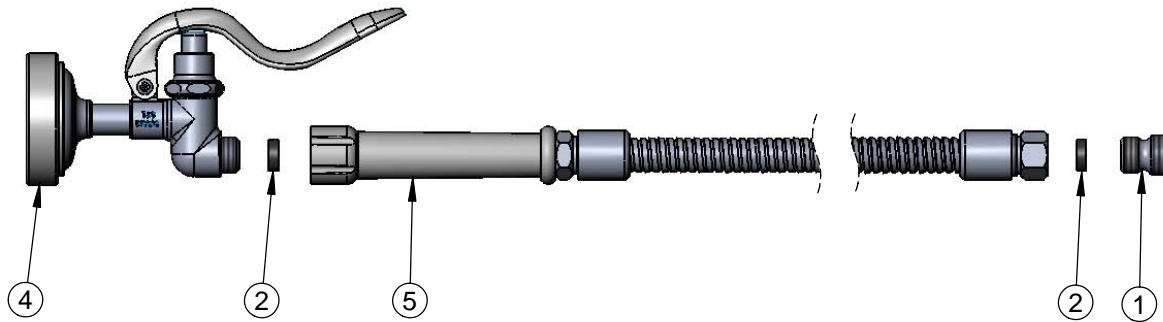
REG. #A2601
ISO #9001

Model No.
B-0100

Item No.

Travelers Rest, SC: 800-476-4103 Simi Valley, CA: 800-423-0150 Fax: 864-834-3518 www.tsbrass.com

ITEM NO.	SALES NO.	DESCRIPTION
1	000547-25	Adapter
2	010476-45	#27 Washer
3	000907-45	Ring, Spray Valve Hold Down
4	B-0107	Spray Valve Asm
5	B-0044-H	Stainless Steel Hose



Product Specifications:

B-0107 Spray Valve w/ B-0044-H Flex Hose

Drawn KJG	Checked DHL	Approved JHB
Scale: None		Date: 11/15/07